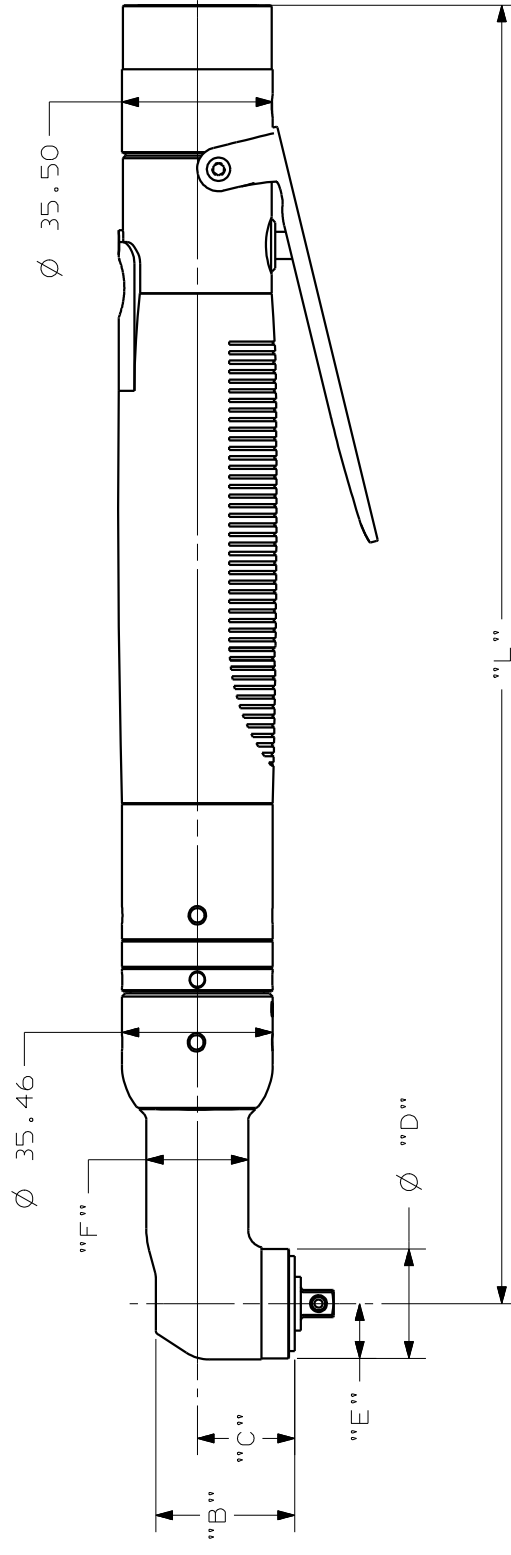
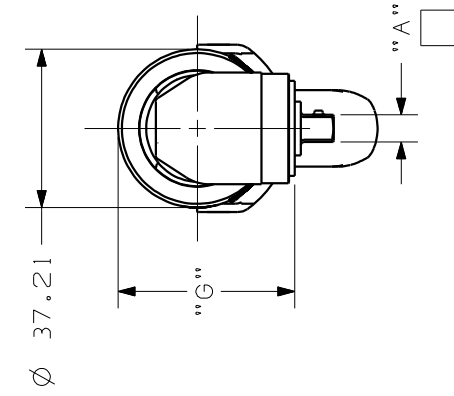


MODEL NO.	"A"	"B"	"C"	"D"	"E"	"F"	"G"	"L"
QE2AL () PA1S04	1/4"	26.67	18.03	18.92	9.46	17.27	36.64	302.66
QE2AL () PA2S04	1/4"	33.75	23.50	26.48	13.24	20.51	42.10	304.36
QE2AL () PA2S06	3/8"	33.75	23.50	26.48	13.24	20.51	42.10	304.36
QE2AL () PA3S04	1/4"	32.68	22.90	25.72	12.86	24.00	41.51	305.36
QE2AL () PA3S06	3/8"	32.68	22.90	25.72	12.86	24.00	41.51	305.36



1/4" INCH DIMENSION

16609901\_SH1  
LAST UPDATED  
07/11/08