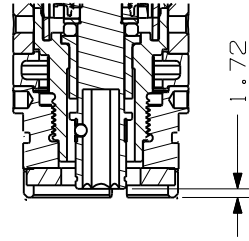
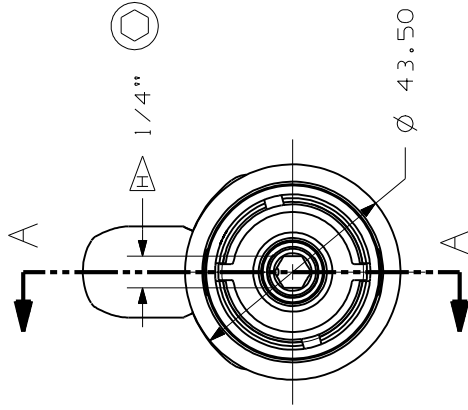
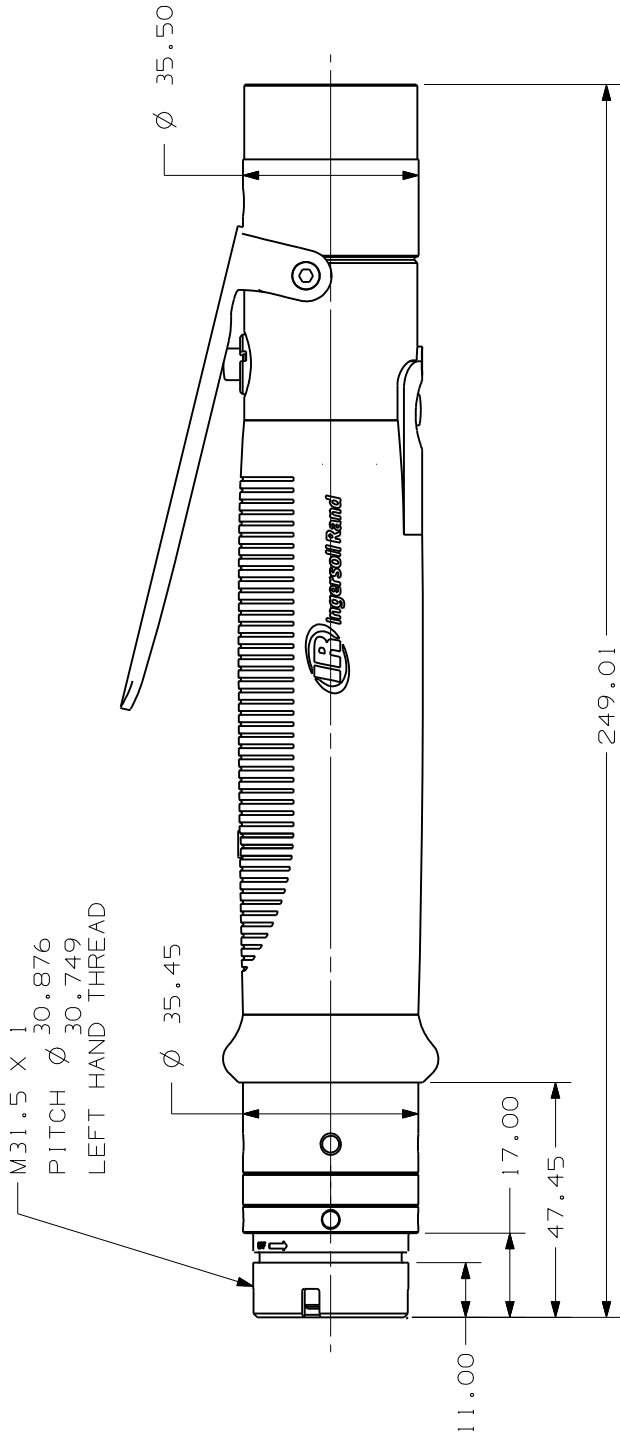




QE2 POWER UNIT, INLINE

OE2S () PM
OE2T () PM



SECTION A - A

\square INCH DIMENSION