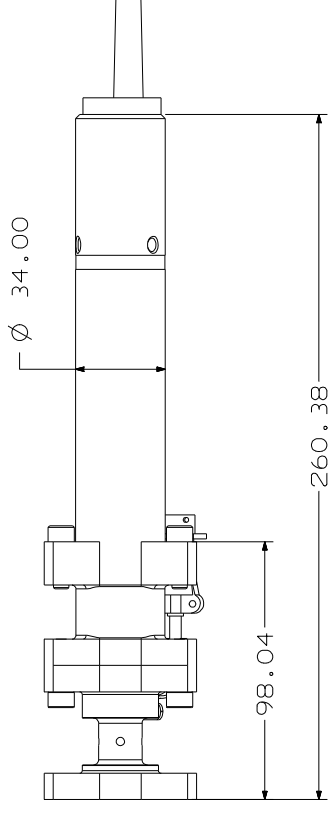
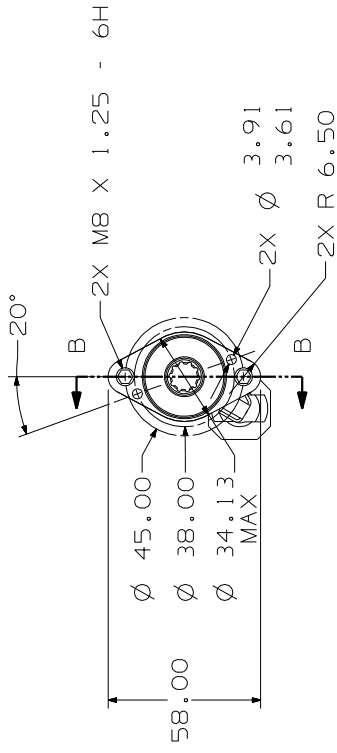


QM3 POWER UNIT



INTERNAL INVOLUTE SPLINE DATA	
FLAT ROOT SIDE FIT	
BASIC SPECIFICATIONS	
METRIC	ENGLISH
NUMBER OF TEETH	10
DIAMETRAL PITCH	24/48
PRESSURE ANGLE	30 DEG
PITCH DIAMETER	10.584
BASE DIAMETER	9.164
FORM DIAMETER	11.760
MAJOR DIAMETER (REF)	11.811
SURFACE FINISH	2.3 MAX
CIRCULAR SPACE WIDTH	
MIN. EFFECTIVE	1.661
MAX. ACTUAL	1.722
REFERENCE DATA	
CLASS FIT	5
PIN DIAMETER	1.83
MEASUREMENT BETWEEN PINS (CHORDAL)	7.899/7.974
CIRCULAR TOOTH THICKNESS	.3112/.3141

