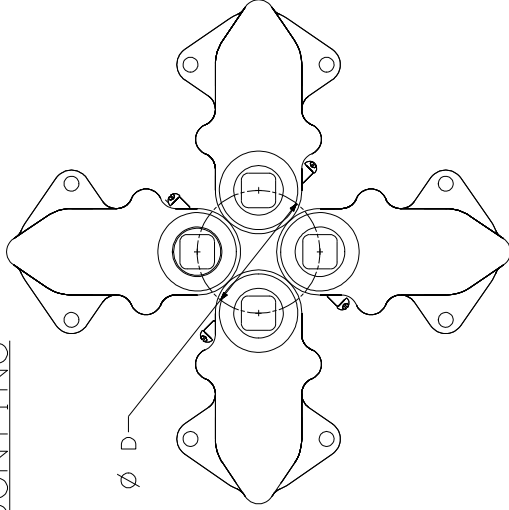


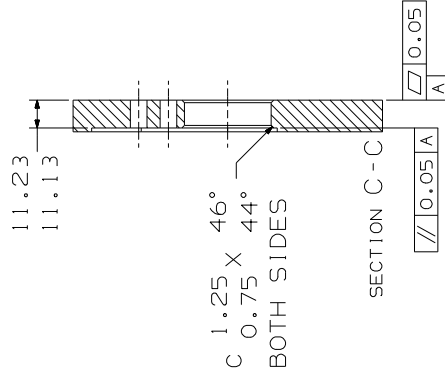
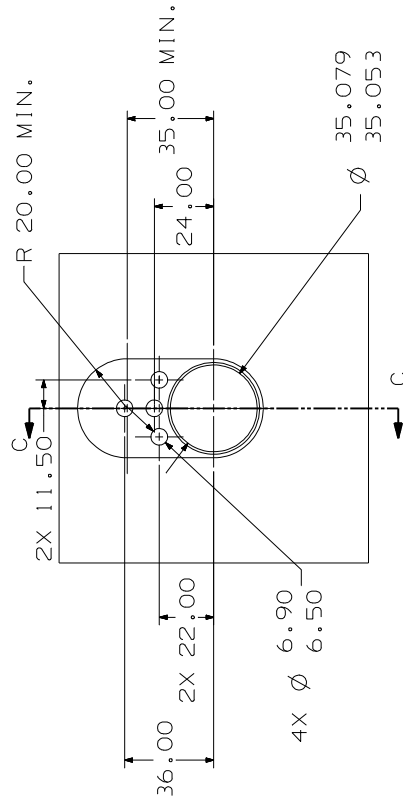
QM5 OFFSET MOUNTING

MULTIPLE SPINDLE DIMENSIONS

| NO. OF SPINDLES | D MIN. |
|-----------------|--------|
| 2 | 35.05 |
| 3 | 40.47 |
| 4 | 49.57 |
| 5 | 59.63 |
| 6 | 70.10 |

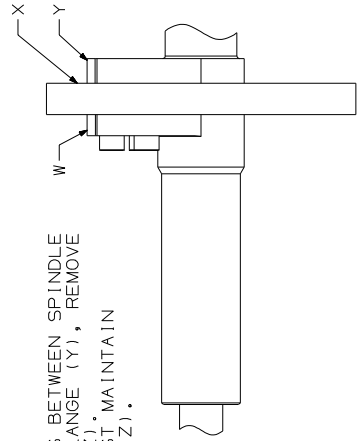


RECOMMENDED MOUNTING PLATE DIMENSIONS



MOUNTING OPTIONS

1) WHEN FIXTURE PLATE (X) IS BETWEEN SPINDLE FLANGE (W) AND TRANSDUCER FLANGE (Y), REMOVE AND DISCARD SPACER PLATE (Z).
NOTE: FIXTURE PLATE (X) MUST MAINTAIN THICKNESS OF SPACER PLATE (Z).



2) WHEN FIXTURE PLATE (X) IS IN FRONT OF SPINDLE FLANGE (W), SPACER PLATE (Z) THICKNESS MAY BE IGNORED.
NOTE: MIO MOUNTING SCREWS MUST BE LENGTHENED BY FIXTURE PLATE (X) THICKNESS.
SUPPLIED MOUNTING SCREWS: M6 X 1.0 X 30

