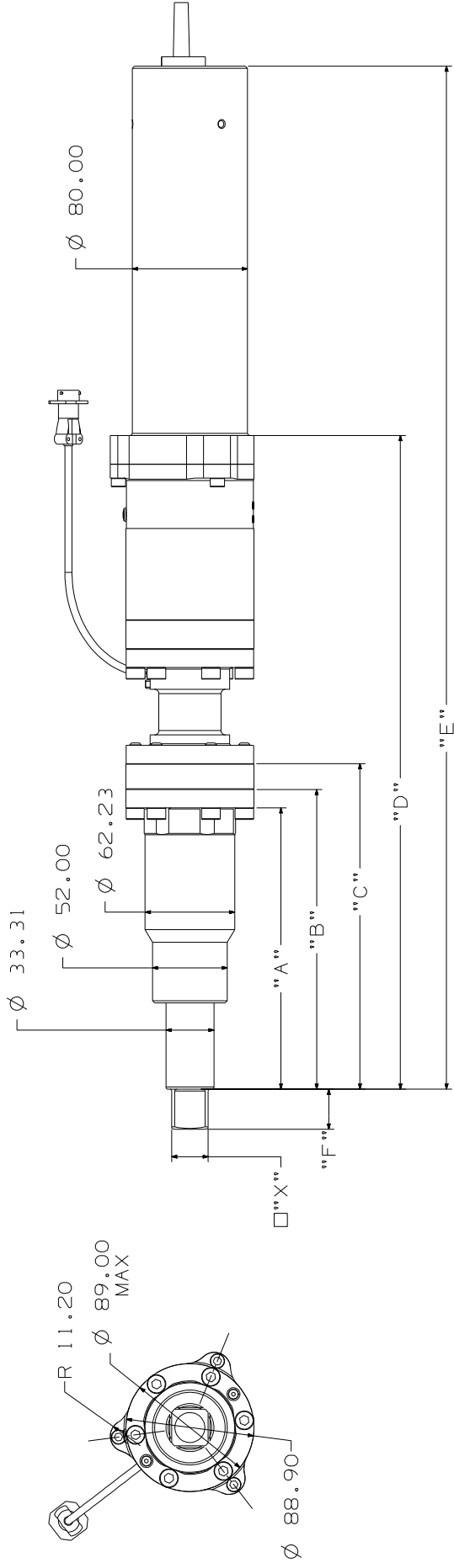


QM9 INLINE ( 315 - 650Nm )



MODEL NO.	"X"	"A"	"B"	"C"	"D"	"E"	"F"	SPINDLE FLOAT
QM9SSXXX62S12	3/4"	195.51	208.21	226.24	454.27	710.95	22.87	50.00
QM9SSXXX92S12	3/4"	270.51	283.21	301.24	529.27	785.95	22.87	50.00
QM9SSXXX22S12	3/4"	345.51	358.21	376.24	604.27	860.95	22.87	50.00
QM9SSXXX62S16	1"	195.51	208.21	226.24	454.27	710.95	27.87	50.00
QM9SSXXX92S16	1"	270.51	283.21	301.24	529.27	785.95	27.87	50.00
QM9SSXXX22S16	1"	345.51	358.21	376.24	604.27	860.95	27.87	50.00