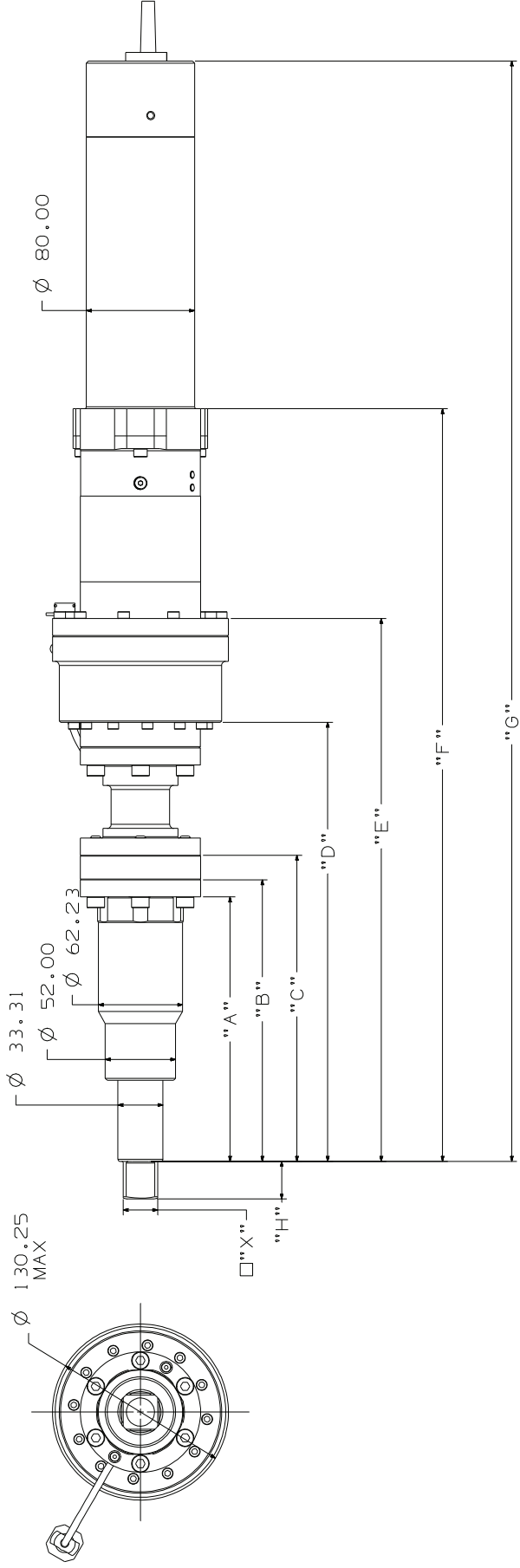


QM9 IN LINE (1000Nm)



MODEL NO.	□"X"	"A"	"B"	"C"	"D"	"E"	"F"	"G"	"H"	SPINDLE FLOAT
QM9SS01KX62S16	1"	195.31	208.01	226.04	324.30	401.01	555.96	812.84	27.87	50.00
QM9SS01KX92S16	1"	270.31	283.01	301.04	399.30	476.01	630.96	887.84	27.87	50.00
QM9SS01KX22S16	1"	345.31	358.01	376.04	474.30	551.01	705.96	962.84	27.87	50.00