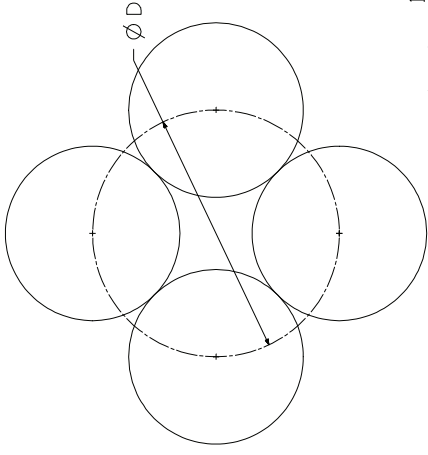


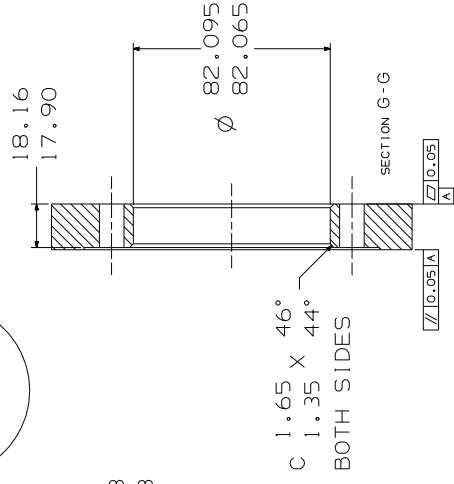
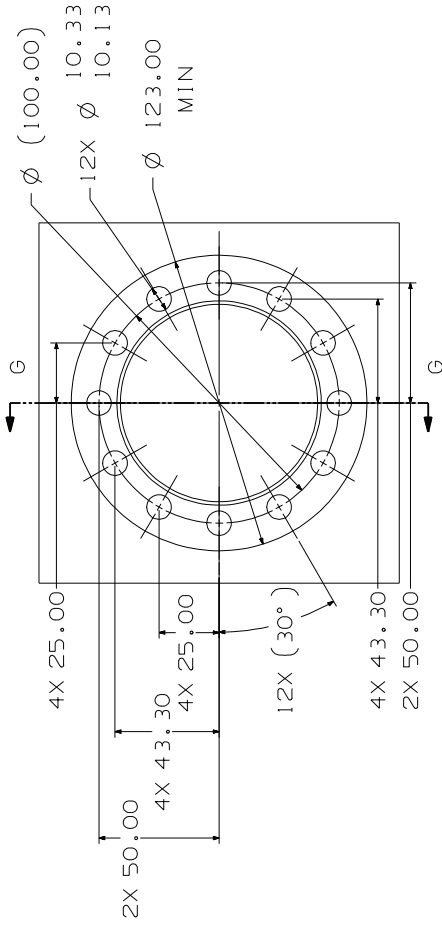
QM9 INLINE MOUNTING (1500-25000Nm)

MULTIPLE SPINDLE DIMENSIONS

NO. OF SPINDLES	D MIN.
2	145.25
3	167.72
4	205.42
5	247.11
6	290.50

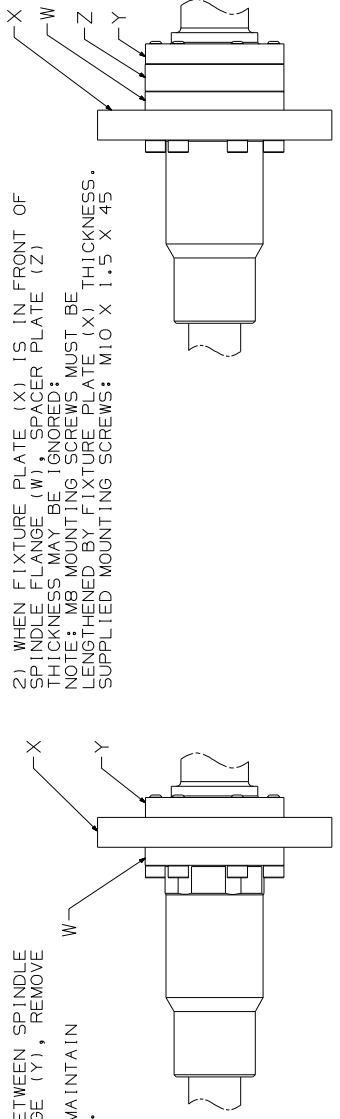


RECOMMENDED MOUNTING PLATE DIMENSIONS



MOUNTING OPTIONS

1) WHEN FIXTURE PLATE (X) IS BETWEEN SPINDLE FLANGE (W) AND TRANSDUCER FLANGE (Y), REMOVE AND DISCARD SPACER PLATE (Z).
NOTE: FIXTURE PLATE (X) MUST MAINTAIN THICKNESS OF SPACER PLATE (Z).



2) WHEN FIXTURE PLATE (X) IS IN FRONT OF SPINDLE FLANGE (W), SPACER PLATE (Z) THICKNESS MAY BE IGNORED.
NOTE: MOUNTING SCREWS MUST BE LENGTHENED BY FIXTURE PLATE (X) THICKNESS. SUPPLIED MOUNTING SCREWS: M10 X 1.5 X 45