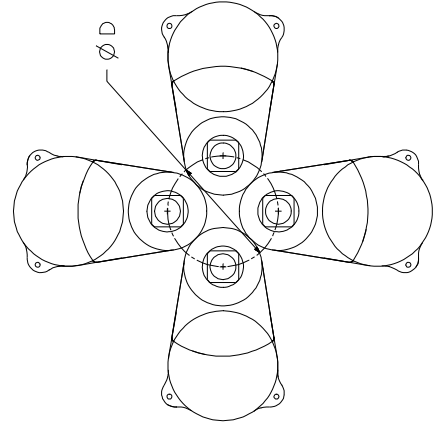


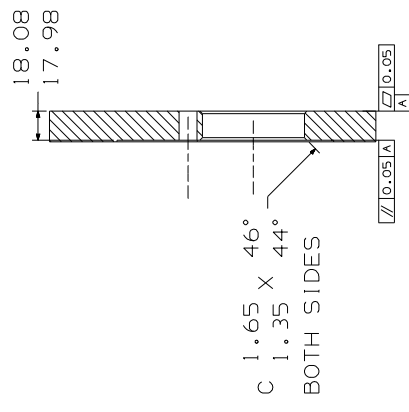
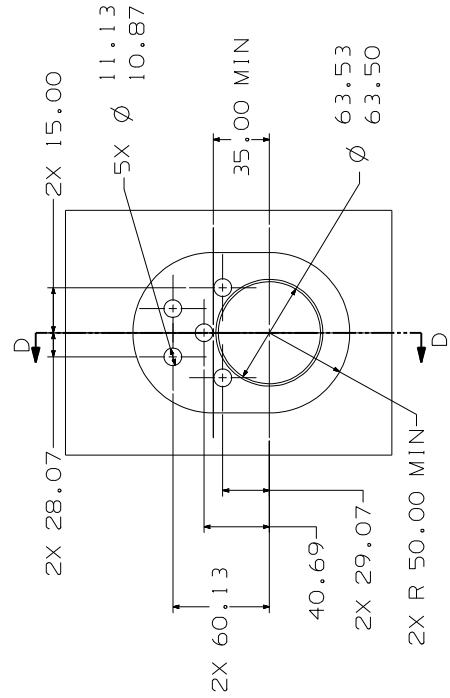
QM9 OFFSET MOUNTING (315-650Nm)

MULTIPLE SPINDLE DIMENSIONS



NO. OF SPINDLES	D MIN.
2	63.45
3	73.27
4	89.73
5	107.95
6	126.90

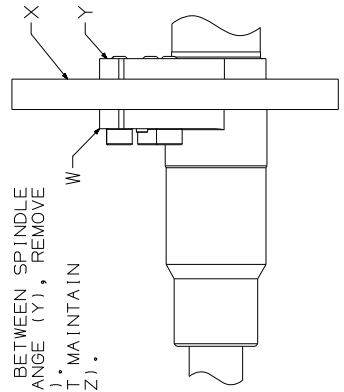
RECOMMENDED MOUNTING PLATE DIMENSIONS



SECTION D-D

MOUNTING OPTIONS

1) WHEN FIXTURE PLATE (X) IS BETWEEN SPINDLE FLANGE (W) AND TRANSDUCER FLANGE (Y), REMOVE AND DISCARD SPACER PLATE (Z).
NOTE: FIXTURE PLATE (X) MUST MAINTAIN THICKNESS OF SPACER PLATE (Z).



2) WHEN FIXTURE PLATE (X) IS IN FRONT OF SPINDLE FLANGE (W), SPACER PLATE (Z) THICKNESS MAY BE IGNORED.
NOTE: M8 MOUNTING SCREWS MUST BE LENGTHENED BY FIXTURE PLATE (X) THICKNESS.
SUPPLIED MOUNTING SCREWS: M10 X 1.5 X 45

