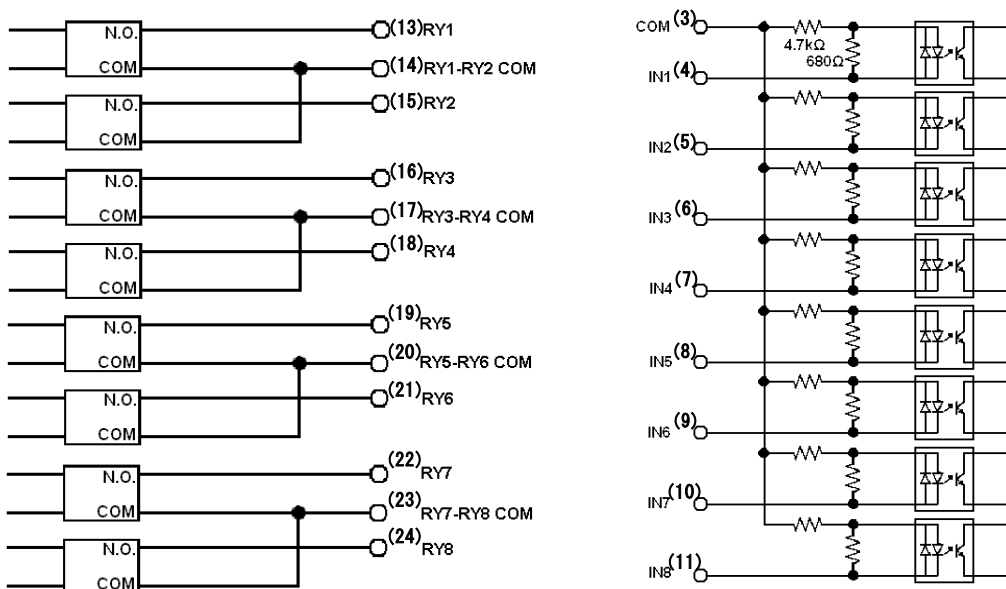


9. Assignment of output relay and input terminal



No.	Pin assignment	Pin assignment	No.
13	RY1	+24V	1
14	RY1-RY2 COM	+24V	2
15	RY2	IN COM	3
16	RY3	IN 1	4
17	RY3-RY4 COM	IN 2	5
18	RY4	IN 3	6
19	RY5	IN 4	7
20	RY5-RY6 COM	IN 5	8
21	RY6	IN 6	9
22	RY7	IN 7	10
23	RY7-RY8 COM	IN 8	11
24	RY8	24V return	12

Terminal Block Connecting Diagram



- * Current capacity available from DC 24V (Pin 1 and 2, 12) is max. 100mA in total.
- * Since the Photocoupler is bi-directional, both interfaces, i.e. NPN (sink) and PNP (sourcing), are available depending on the connection of COM.
- * When connecting with NPN output, add the wire between No. 2 (+24V) and No. 3 (IN COM). See the left figure below.
- When connecting with PNP output, add the wire between No. 3 (IN COM) and No. 12 (24V return). See the right figure below.
- * Terminal block: Main unit: 1633910000,

Wire connector: 1640030000 (Pin 1 to 12), 1606740000 (Pin 13 to 24)

(manufactured by Weidmuller), one each used

