

Wiring an IC-Bit-8 Bit Tray to a QC-DIO-8CH box

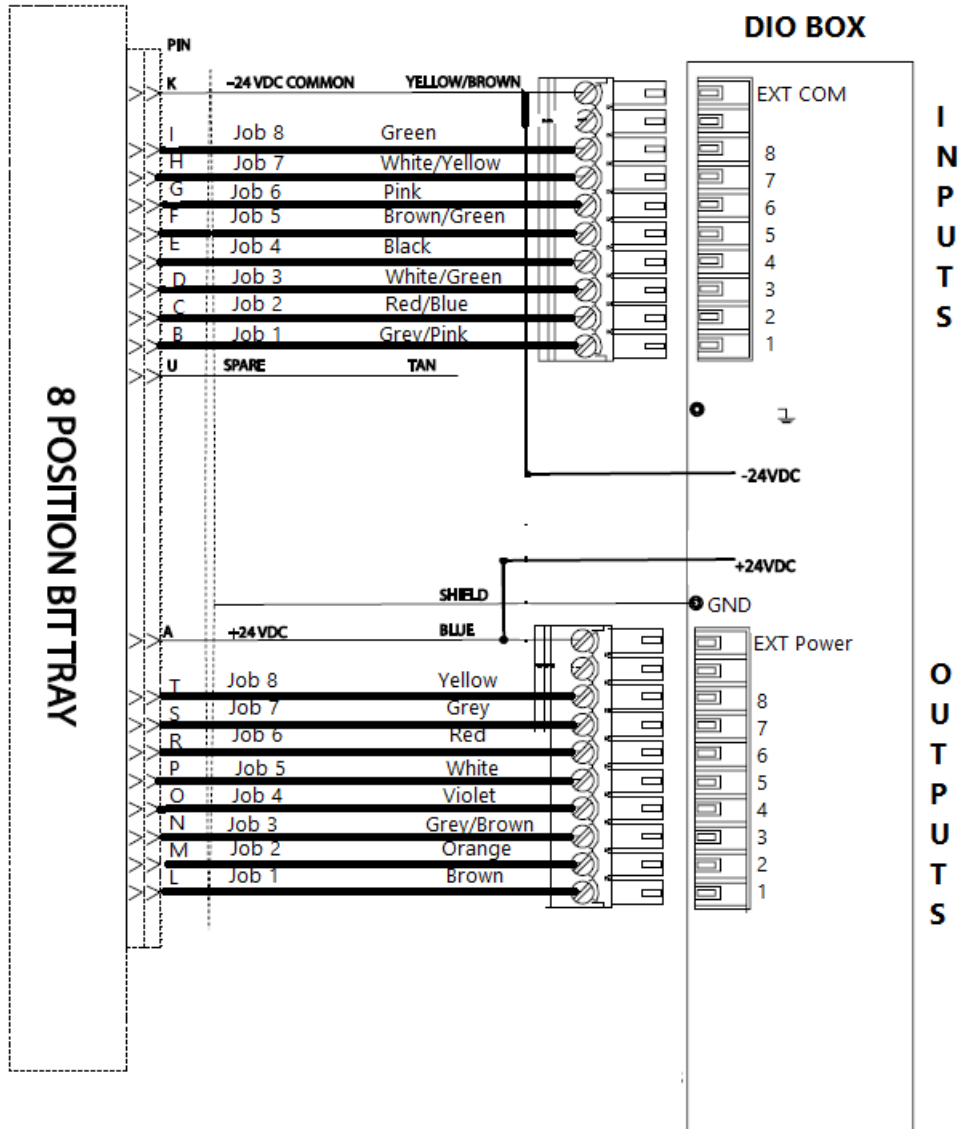


Figure 1: 8 Position Bit Tray Wiring