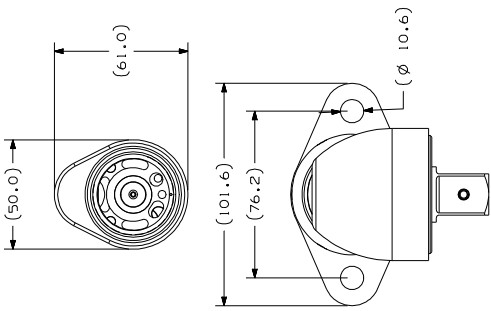
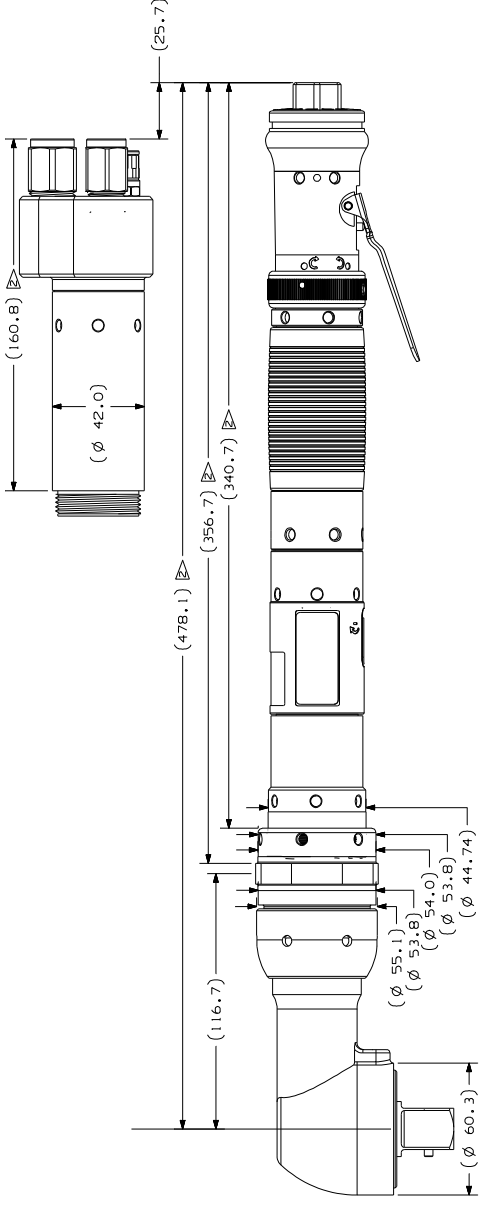


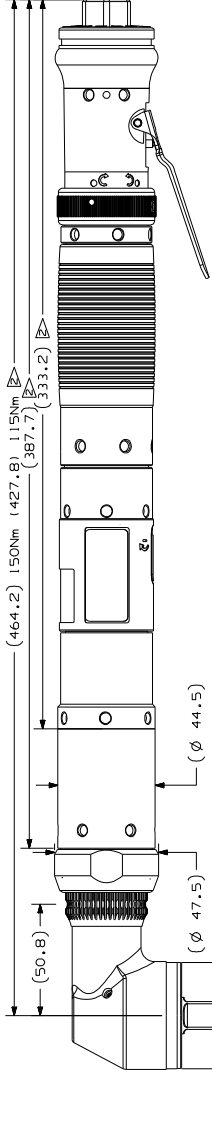
QA8 ANGLE



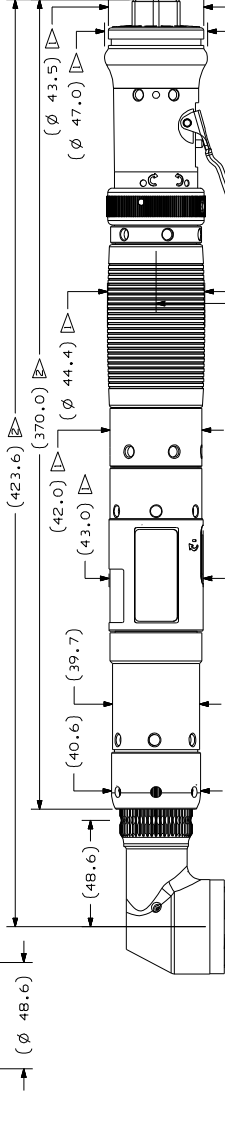
ALL REMOTE TOOLS



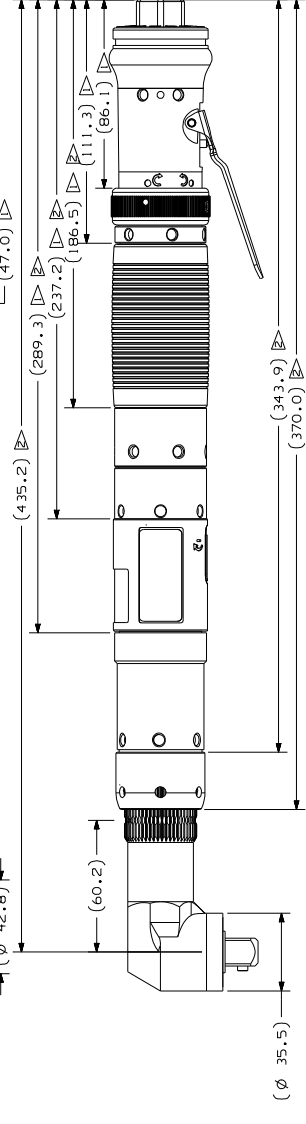
200 Nm, 225 Nm TOOLS



115 Nm, 150 Nm TOOLS



70 Nm, 90 Nm TOOLS



40 Nm, 55 Nm TOOLS

NOTE: ▽ DENOTES COMMON DIMENSION FOR ALL MODELS

▽ 160.8 LENGTH ON REMOTE TOOL COORELATES TO 186.5 LENGTH ON LEVER TOOLS. 50.186.5 LENGTH DIMENSIONS TO GET REMOTE LENGTHS.

