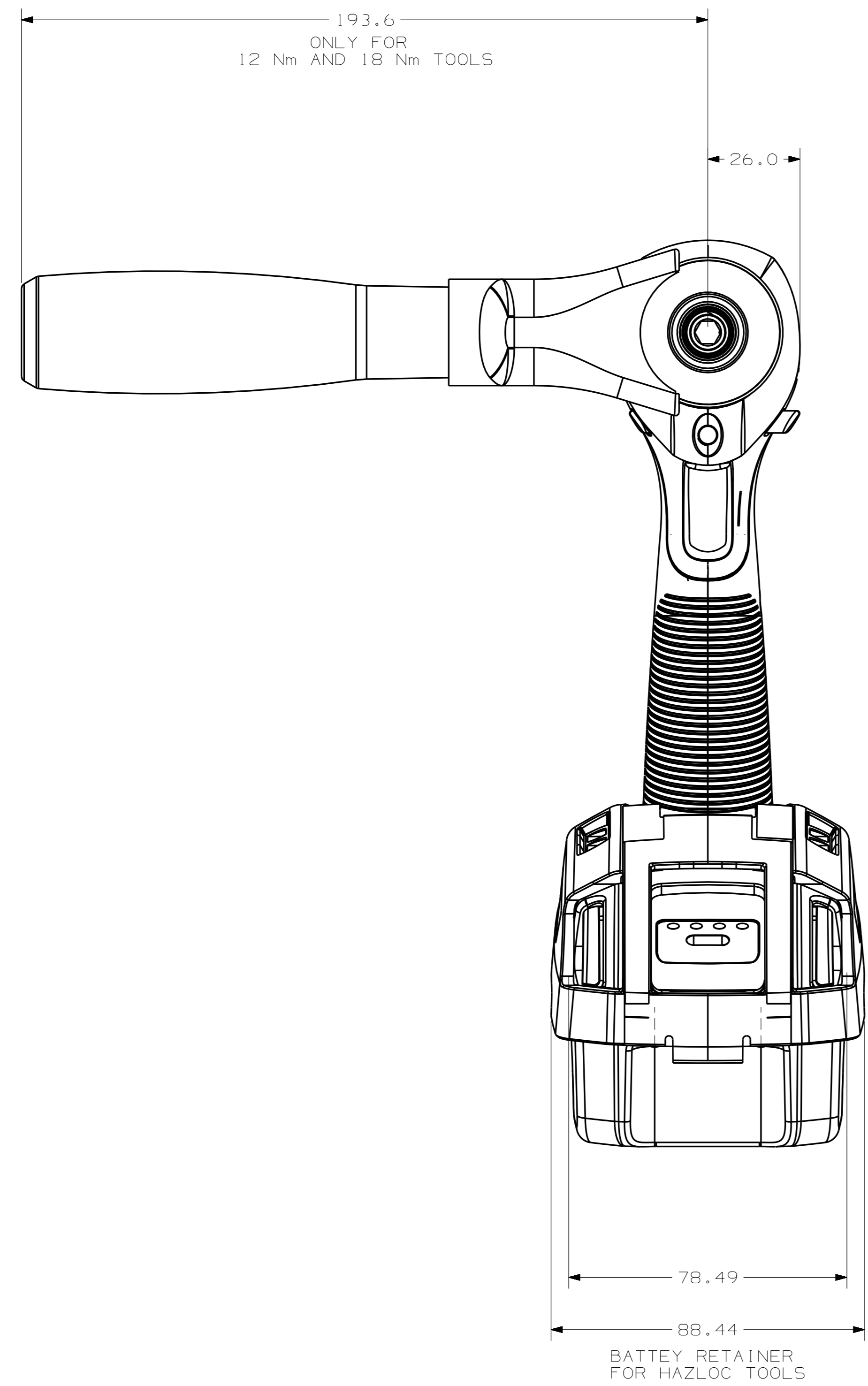


QX PISTOL

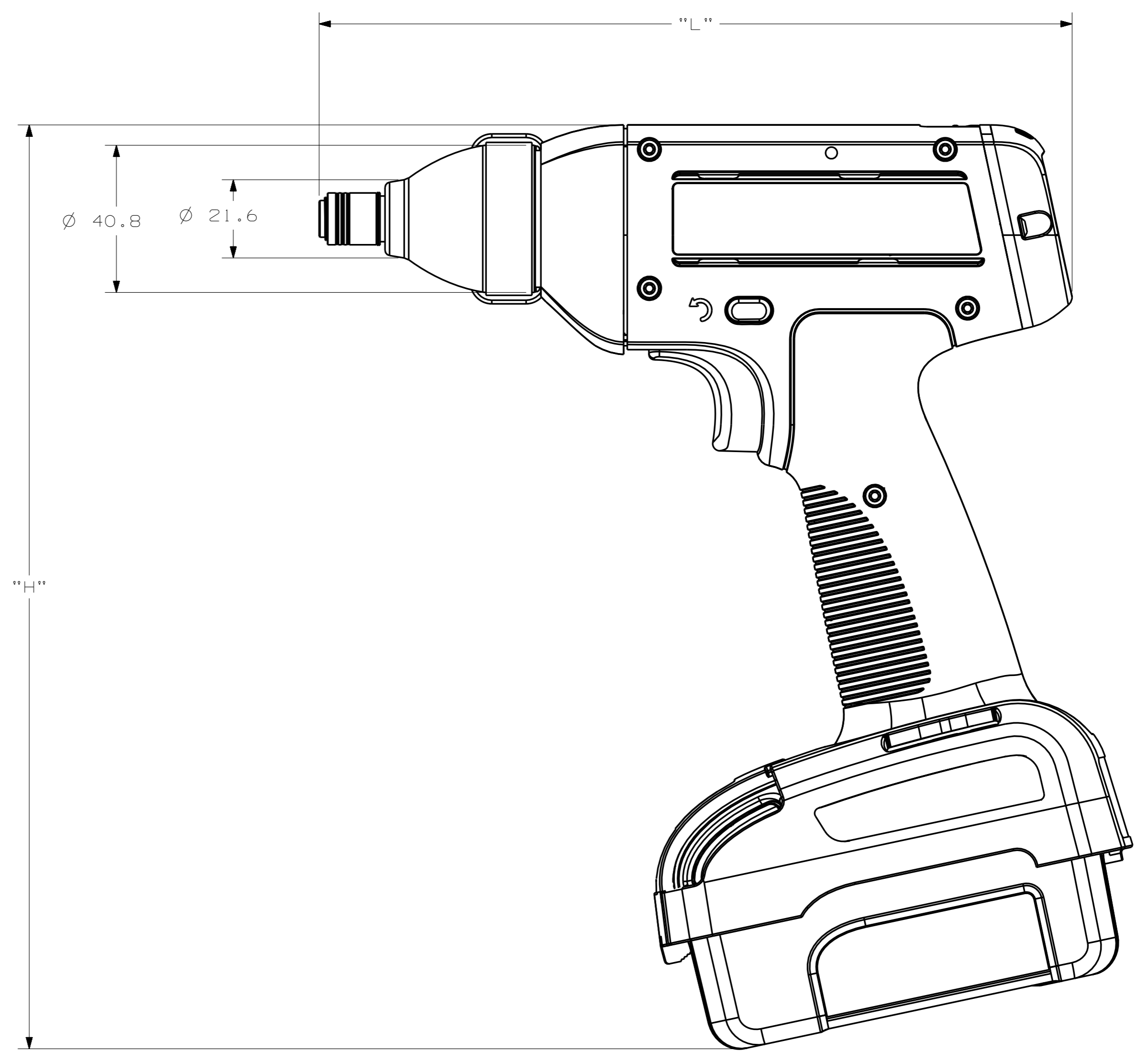
QX () 2PT ()

ZONE	REV	DESCRIPTION	DATE	APPROVED
	D	782441	05/13/14	JPS

DRIVE	"L"
S4	199.3
S6	203.0
Q4	206.5



BATTERY	"H"
BL2005	237.0
BL2010	255.7



MATERIAL N/A	UNLESS OTHERWISE SPECIFIED DIMENSIONS ARE IN MILLIMETERS PER ASME Y14.5-2009 TOL ON ANGLE 1/2° REMOVE BURRS AND SHARP CORNERS MACH SURFACES 3.2 MAX	WARNING: THE EXPORT OR RE-EXPORT OF THIS DRAWING OR A PRODUCT PRODUCED BY THIS DRAWING IS SUBJECT TO U.S. EXPORT ADMINISTRATION REGULATIONS AND OTHER APPLICABLE GOVERNMENTAL RESTRICTIONS OR REGULATIONS.	COPYRIGHT © 2013 INGERSOLL-RAND COMPANY ALL RIGHTS RESERVED	SI-METRIC H > DENOTES REQUIRED ENGLISH DIMENSION THIRD ANGLE PROJECTION	<p>Business Development Center 1487 Route 31 South Amansole, NJ 08001</p>
TREAT TREAT N/A				DRAWING TITLE OUTLINE DRAWING, VIPER TOOL	PART NO.: 48407233
FINISH N/A				DRAWN BY: MAR 05/13/14 CKD BY: GKD 05/13/14 REVER APP: JPS 05/14/14	REV: D SHEET: 1 OF 1