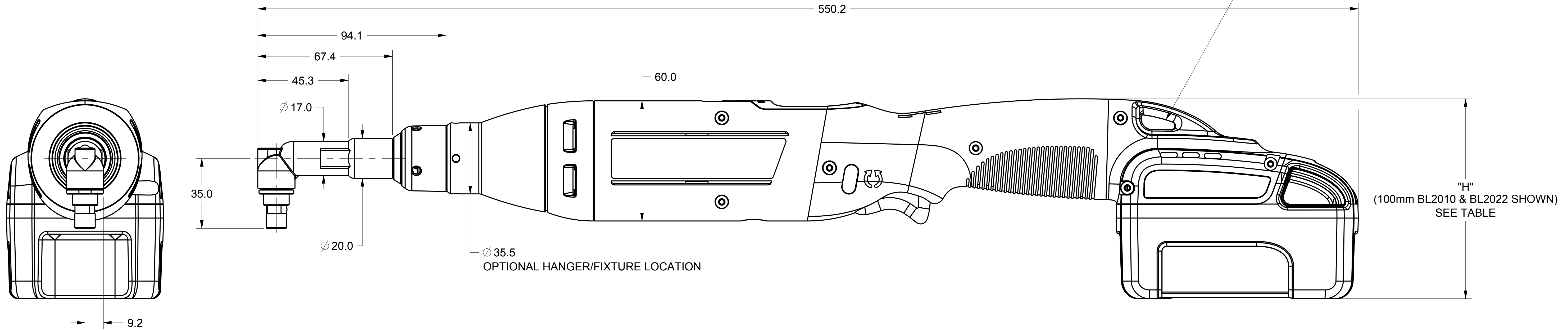
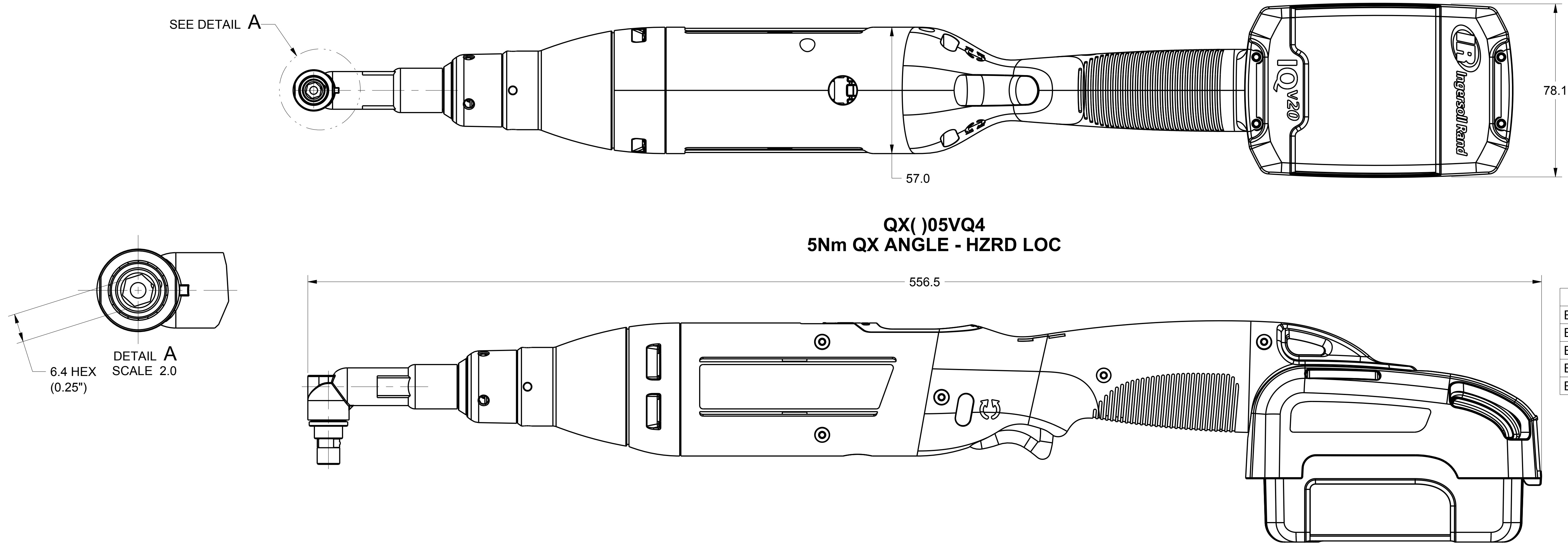


REVISIONS					
ZONE	REV	ECN	DESCRIPTION	DATE	APPD
	A	CN836745	ENGINEERING RELEASED	05-14-2014	R.YOUNG
	C	980154	ADDED SHEET-5 FOR 27Nm QX ANGLE MODEL ADDED HZRD-LOC FOR 5,10,15,18 & 27Nm MODELS	06-23-2015	S.KUMAR

**QX()05PQ4
5Nm QX ANGLE**



**QX()05VQ4
5Nm QX ANGLE - HZRD LOC**



ALL MODELS	
BATTERY	DIMENSION "H"
BL2005	80.5 mm
BL2012	80.5 mm
BL2010	100 mm
BL2022	100 mm

WARNING: THE EXPORT OR REEXPORT OF THIS DRAWING OR A PRODUCT PRODUCED BY THIS DRAWING IS SUBJECT TO U.S. EXPORT ADMINISTRATION REGULATIONS AND OTHER APPLICABLE GOVERNMENT RESTRICTIONS OR REGULATIONS.

PROPRIETARY NOTICE

THIS DRAWING CONTAINS CONFIDENTIAL AND TRADE SECRET INFORMATION, IS THE PROPERTY OF INGERSOLL-RAND CO., AND IS GIVEN TO THE RECEIVER IN CONFIDENCE. THE RECEIVER BY RECEIPT AND RETENTION OF THE DRAWING ACCEPTS THE DRAWING IN CONFIDENCE AND AGREES THAT, EXCEPT AS AUTHORIZED IN WRITING BY INGERSOLL-RAND CO., IT WILL (1) NOT USE THE DRAWING OR ANY COPY THEREOF OR THE CONFIDENTIAL OR TRADE SECRET INFORMATION THEREIN; (2) NOT COPY THE DRAWING; (3) NOT DISCLOSE TO OTHERS EITHER THE DRAWING OR THE CONFIDENTIAL OR TRADE SECRET INFORMATION THEREIN; AND (4) UPON COMPLETION OF THE NEED TO RETAIN THE DRAWING, OR UPON DEMAND, RETURN THE DRAWING, ALL COPIES THEREOF, AND ALL MATERIAL COPIED THEREFROM.

DO NOT SCALE DRAWING
DRAWING CONFORMS TO ISO 1101

CAD GENERATED DRAWING,
NO MANUAL REVISIONS ALLOWED

UNLESS OTHERWISE SPECIFIED:
- REMOVE ALL BURRS AND SHARP CORNERS
- WELD SYMBOLS TO BE IN ACCORDANCE WITH NFE 52-109 1-2

COPYRIGHT © 2015
Ingersoll Rand
ALL RIGHTS RESERVED

THIRD ANGLE PROJECTION

DRAWN	DATE
R.YOUNG	05-12-14
CHECKED	DATE
L.BORST	5-14-14
APPROVED	DATE
D.BECKER	5-14-14

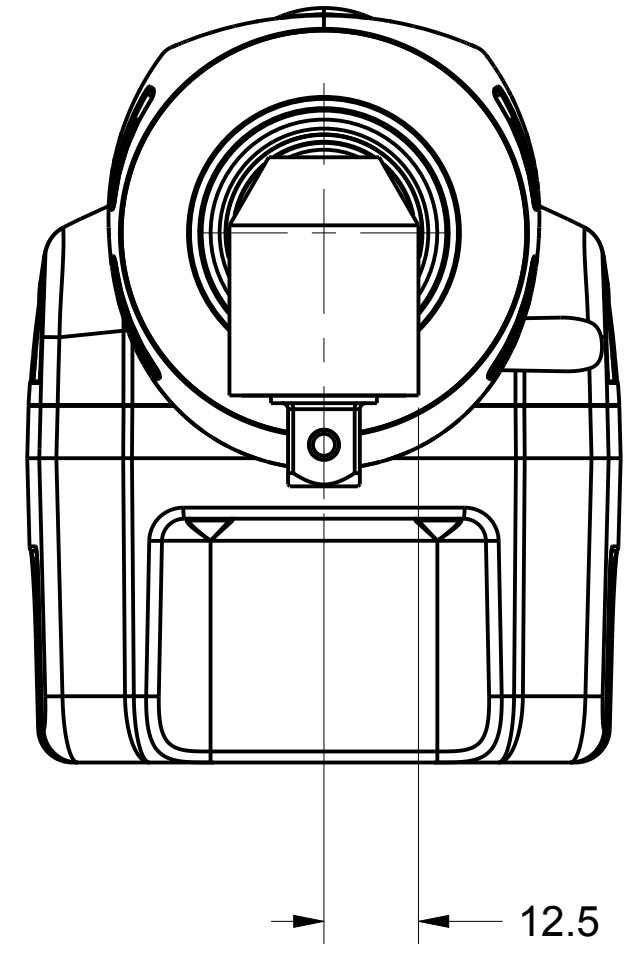
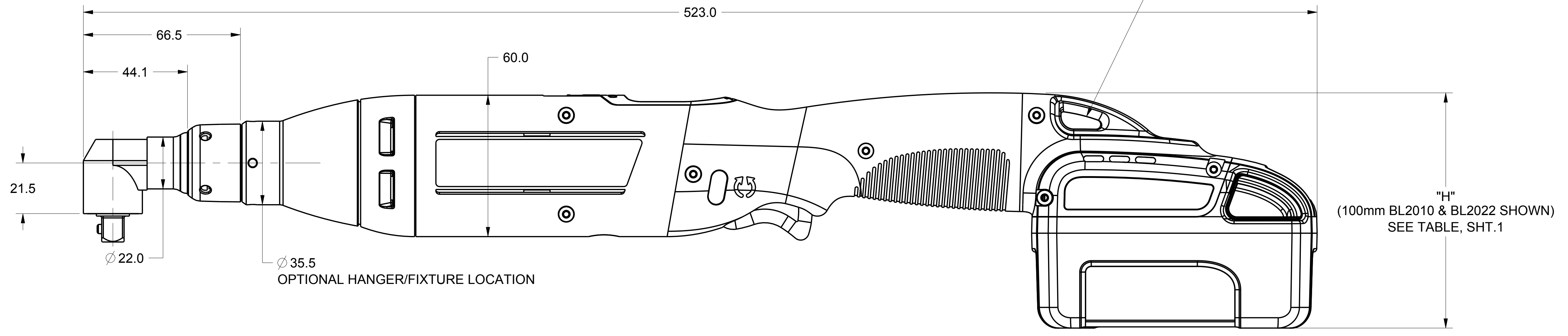
DRAWING TYPE
Detail Drawing
NOMENCLATURE
VA1-OUTLINE

IR Ingersoll Rand

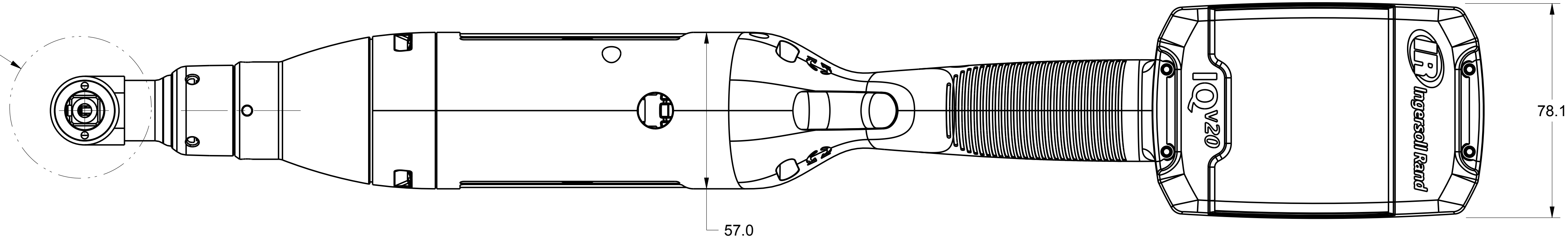
OUTLINE, QX ANGLE

NAME	DWG NO.	REVISION
	47519395001	C
ESTIMATED WEIGHT (KG UNLESS OTHERWISE SPECIFIED)	PART NO.	SHEET
SCALE	MODEL	1 OF 5
A1	EA	1

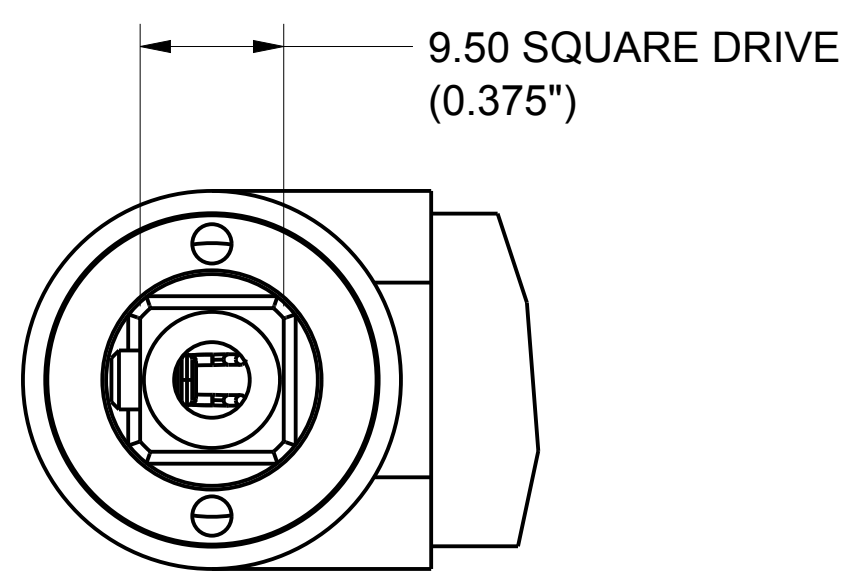
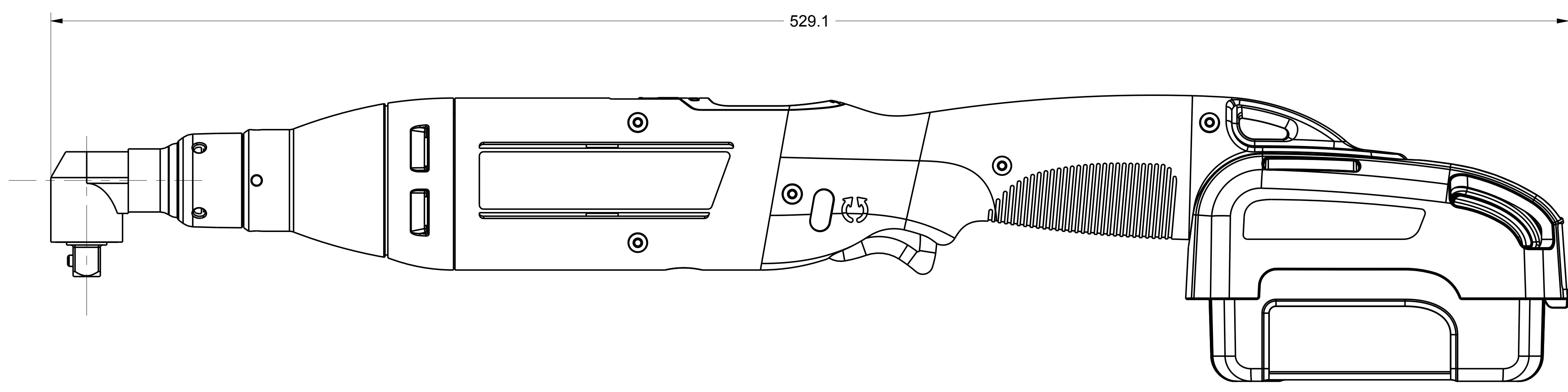
QX()10PS6 & QX()15PS6 10Nm AND 15Nm QX ANGLE



SEE DETAIL B



QX()10VS6 & QX()15VS6 10Nm AND 15Nm QX ANGLE - HZRD LOC



DETAIL B
SCALE 2.0

<small>PROPRIETARY NOTICE</small> <small>THIS DRAWING CONTAINS CONFIDENTIAL AND TRADE SECRET INFORMATION. IS THE PROPERTY OF INGERSOLL RAND CO. AND IS GIVEN TO THE RECEIVER IN CONFIDENCE. THE RECEIVER BY ACCEPTANCE AND RETENTION OF THE DRAWING ACCEPTS THE DRAWING IN CONFIDENCE AND AGREES THAT, EXCEPT AS AUTHORIZED IN WRITING BY INGERSOLL RAND CO. IT WILL (1) NOT USE THE DRAWING OR ANY COPY THEREOF OR THE CONFIDENTIAL OR TRADE SECRET INFORMATION THEREIN; (2) NOT COPY THE DRAWING; (3) NOT DISCLOSE TO OTHERS EITHER THE DRAWING OR THE CONFIDENTIAL OR TRADE SECRET INFORMATION THEREIN; AND (4) UPON COMPLETION OF THE NEED TO RETAIN THE DRAWING OR UPON DEMAND, RETURN THE DRAWING, ALL COPIES THEREOF, AND ALL MATERIAL COPIED THEREFROM.</small>		<small>NAME</small> OUTLINE, QX ANGLE	
<small>SIZE</small> A1	<small>DWG NO.</small> 47519395001	<small>REVISION</small> C	
<small>SCALE</small> 1.00	<small>NOMENCLATURE</small> VA1-OUTLINE	<small>SHEET</small> 2 of 5	

QX()18PS6 18Nm QX ANGLE

541.1

OPTIONAL HANGER LOCATION
(Ø 3.2mm MAX WIRE)

85.4
59.2

60.0

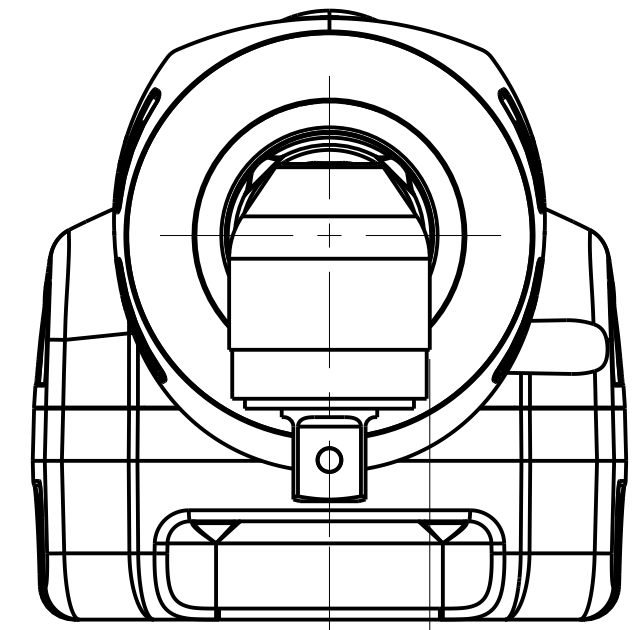
22.9

Ø 24.0

Ø 35.5

OPTIONAL HANGER/FIXTURE LOCATION

"H"
(80.5mm BL2005 & BL2012 SHOWN)
SEE TABLE, SHT.1



13.3

SEE DETAIL C

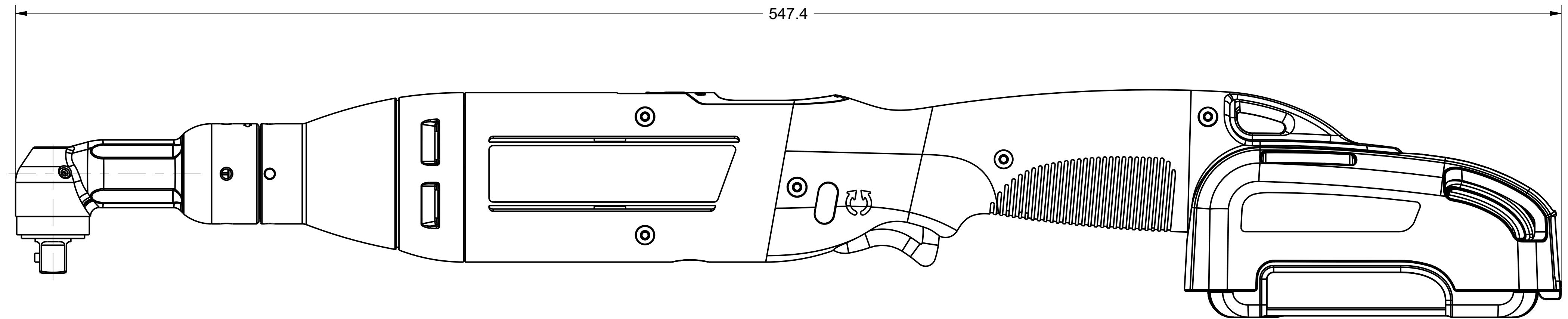
Ø 26.5


9.55 SQUARE DRIVE
(0.375")

DETAIL C
SCALE 2.0

QX()18VS6 18Nm QX ANGLE - HZRD LOC

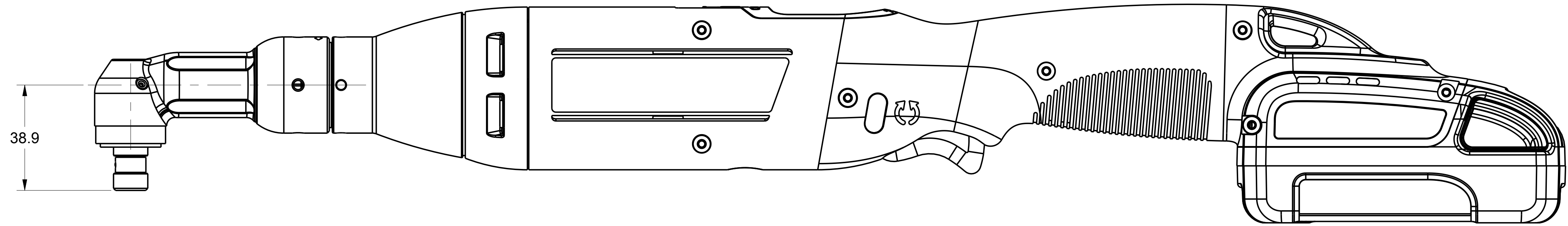
547.4



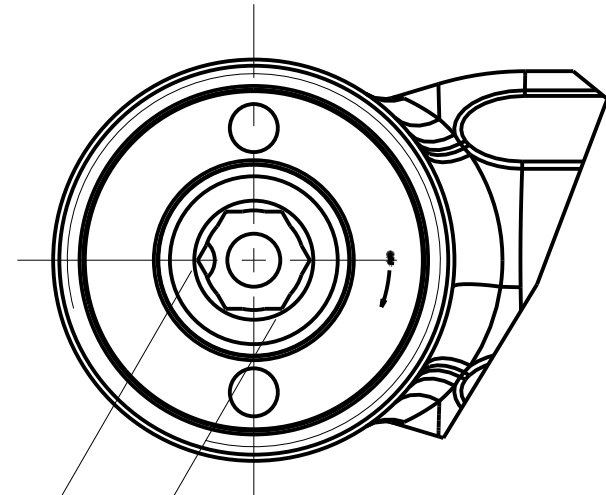
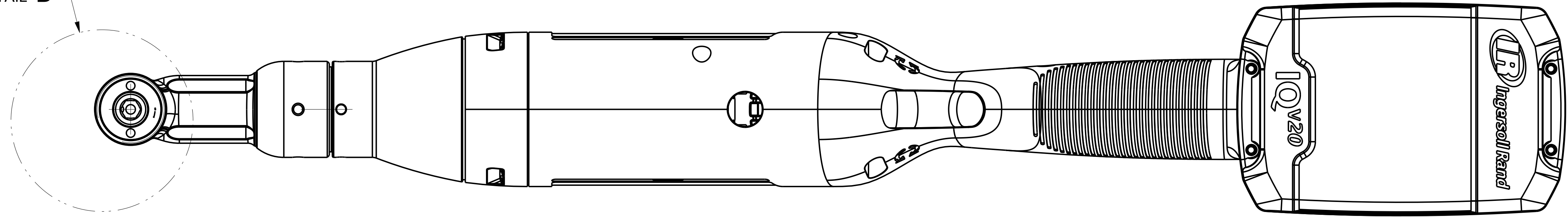
PROPRIETARY NOTICE		NAME	
<small>THIS DRAWING CONTAINS CONFIDENTIAL AND TRADE SECRET INFORMATION. IS THE PROPERTY OF INGERSOLL RAND CO. AND IS GIVEN TO THE RECEIVER IN CONFIDENCE. THE RECEIVER BY RECEIPT AND RETENTION OF THE DRAWING ACCEPTS THE DRAWING IN CONFIDENCE AND AGREES THAT, EXCEPT AS AUTHORIZED IN WRITING BY INGERSOLL RAND CO. IT WILL (1) NOT USE THE DRAWING OR ANY COPY THEREOF OR THE CONFIDENTIAL OR TRADE SECRET INFORMATION THEREIN; (2) NOT COPY THE DRAWING; (3) NOT DISCLOSE TO OTHERS EITHER THE DRAWING OR THE CONFIDENTIAL OR TRADE SECRET INFORMATION THEREIN; AND (4) UPON COMPLETION OF THE NEED TO RETAIN THE DRAWING, OR UPON DEMAND, RETURN THE DRAWING, ALL COPIES THEREOF, AND ALL MATERIAL COPIED THEREFROM.</small>			
OUTLINE, QX ANGLE			
SIZE	DWG NO.	REVISION	
A1	47519395001	C	
SCALE	NOMENCLATURE	SHEET	3 of 5
1.00	VA1-OUTLINE		

QX()18PQ4 18Nm QX ANGLE

(OUTLINE DIMENSIONS SAME AS QX()18PS6 (18Nm QX ANGLE) IN SHEET 3 EXCEPT WHERE NOTED)



SEE DETAIL D

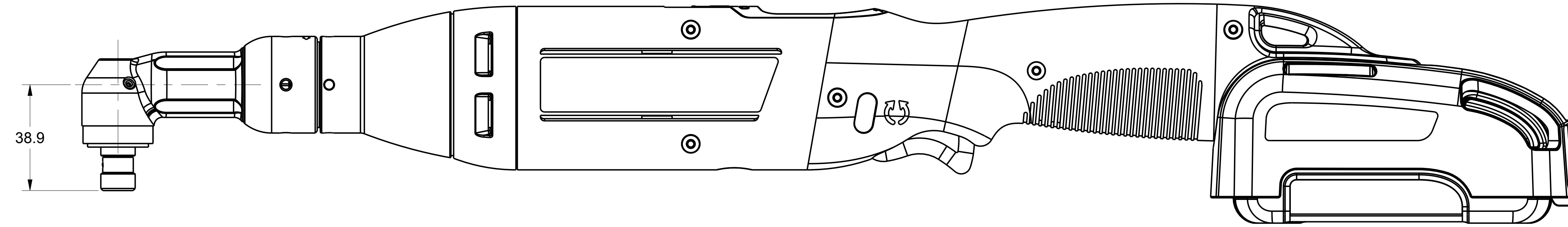



6.4 HEX
(0.25")

DETAIL D
SCALE 2.0

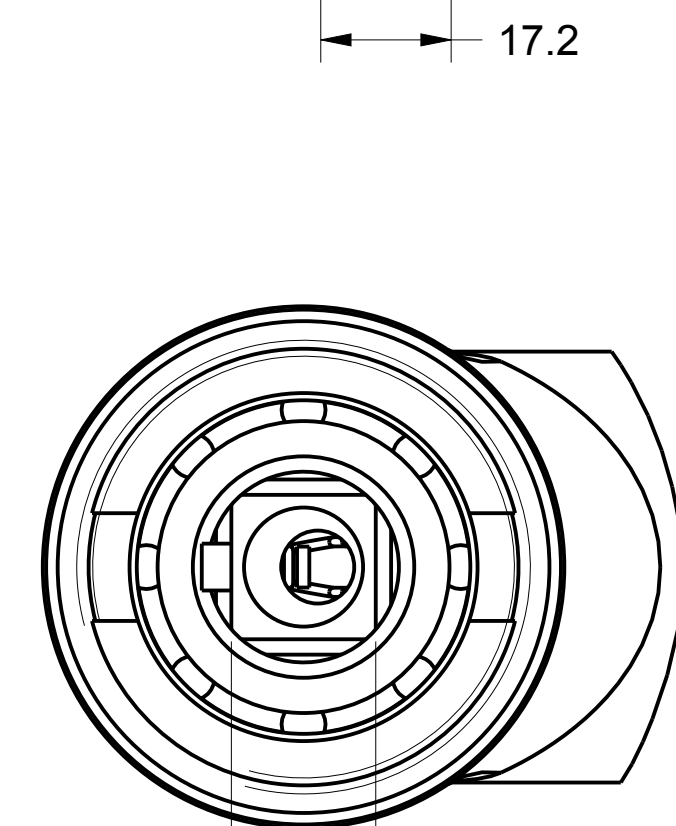
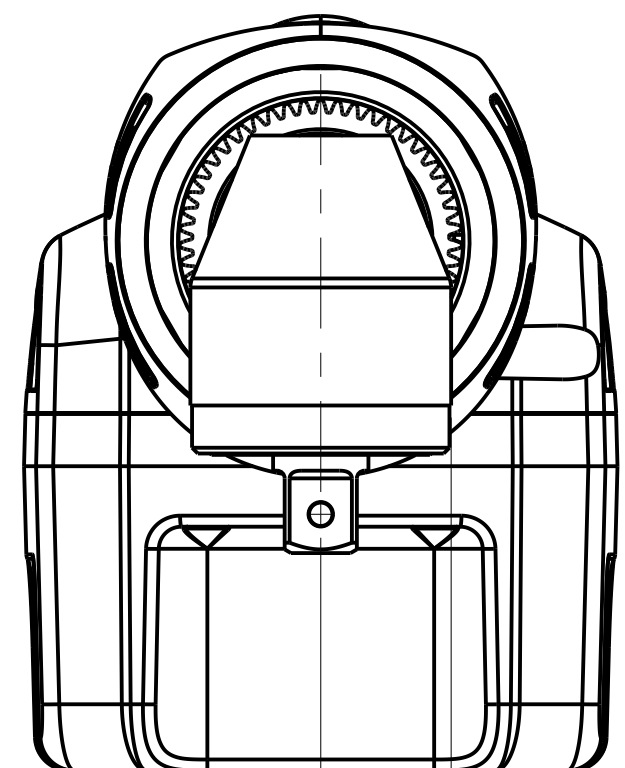
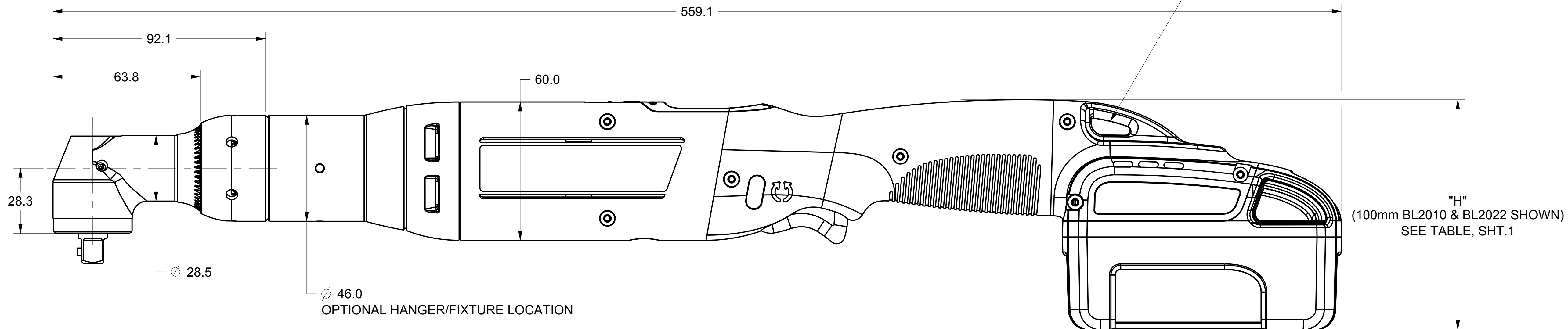
QX()18VQ4 18Nm QX ANGLE - HZRD LOC

(OUTLINE DIMENSIONS SAME AS QX()18VS6 (18Nm QX ANGLE - HZRD LOC) IN SHEET 3 EXCEPT WHERE NOTED)

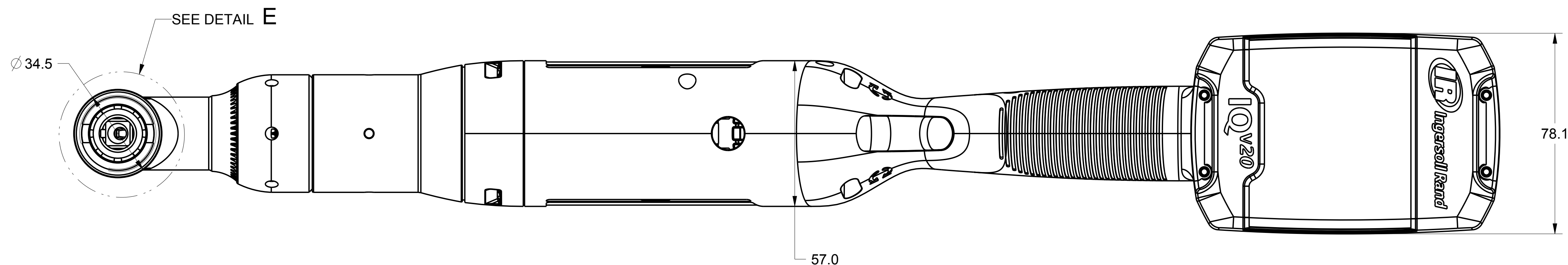


<small>PROPRIETARY NOTICE</small> <small>THIS DRAWING CONTAINS CONFIDENTIAL AND TRADE SECRET INFORMATION. IS THE PROPERTY OF INGERSOLL RAND CO. AND IS GIVEN TO THE RECEIVER IN CONFIDENCE. THE RECEIVER BY RECEIPT AND RETENTION OF THE DRAWING ACCEPTS THE DRAWING IN CONFIDENCE AND AGREES THAT, EXCEPT AS AUTHORIZED IN WRITING BY INGERSOLL RAND CO. IT WILL (1) NOT USE THE DRAWING OR ANY COPY THEREOF OR THE CONFIDENTIAL OR TRADE SECRET INFORMATION THEREIN; (2) NOT COPY THE DRAWING; (3) NOT DISCLOSE TO OTHERS EITHER THE DRAWING OR THE CONFIDENTIAL OR TRADE SECRET INFORMATION THEREIN; AND (4) UPON COMPLETION OF THE NEED TO RETAIN THE DRAWING, OR UPON DEMAND, RETURN THE DRAWING, ALL COPIES THEREOF, AND ALL MATERIAL COPIED THEREFROM.</small>		<small>NAME</small> OUTLINE, QX ANGLE	
<small>SIZE</small> A1	<small>DWG NO.</small> 47519395001	<small>REVISION</small> C	
<small>SCALE</small> 1.00	<small>NOMENCLATURE</small> VA1-OUTLINE	<small>SHEET</small> 4	<small>OF 5</small> 5

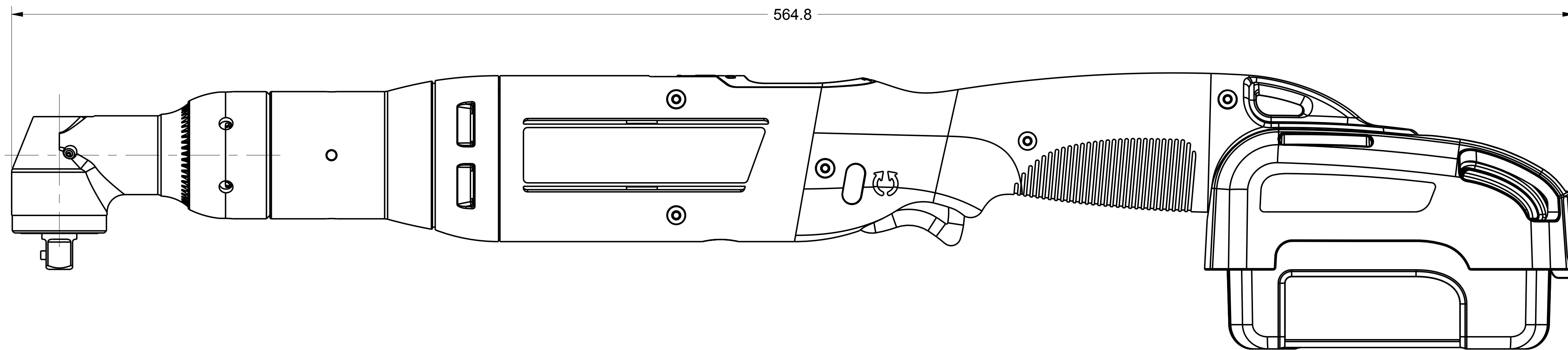
QX()27PS6 27Nm QX ANGLE



DETAIL E
SCALE 2.0



QX()27VS6 27Nm QX ANGLE - HZRD LOC



<small>PROPRIETARY NOTICE</small> <small>THIS DRAWING CONTAINS CONFIDENTIAL AND TRADE SECRET INFORMATION. IS THE PROPERTY OF INGERSOLL RAND CO. AND IS GIVEN TO THE RECEIVER IN CONFIDENCE. THE RECEIVER BY ACCEPTANCE AND RETENTION OF THIS DRAWING ACCEPTS THE DRAWING IN CONFIDENCE AND AGREES THAT, EXCEPT AS AUTHORIZED IN WRITING BY INGERSOLL RAND CO., IT WILL (1) NOT USE THE DRAWING OR ANY COPY THEREOF OR THE CONFIDENTIAL OR TRADE SECRET INFORMATION THEREIN; (2) NOT COPY THE DRAWING; (3) NOT DISCLOSE TO OTHERS EITHER THE DRAWING OR THE CONFIDENTIAL OR TRADE SECRET INFORMATION THEREIN; AND (4) UPON COMPLETION OF THE NEED TO RETAIN THE DRAWING, OR UPON DEMAND, RETURN THE DRAWING, ALL COPIES THEREOF, AND ALL MATERIAL COPIED THEREFROM.</small>		<small>NAME</small> OUTLINE, QX ANGLE	
<small>SIZE</small> A1	<small>DWG NO.</small> 47519395001	<small>REVISION</small> C	
<small>SCALE</small> 1.00	<small>NOMENCLATURE</small> VA1-OUTLINE	<small>SHEET</small> 5 OF 5	