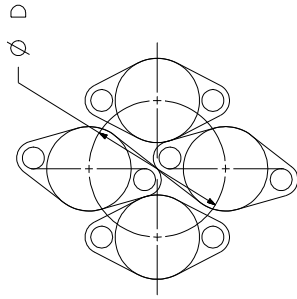


QM3 IN-LINE MOUNTING

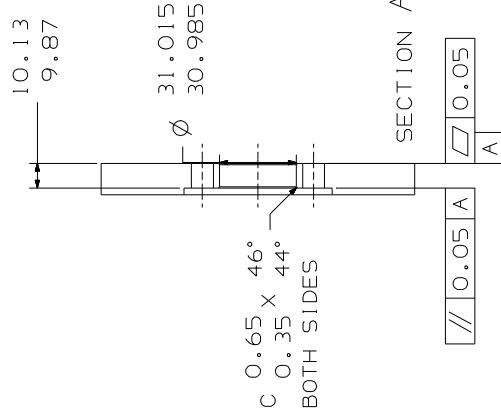
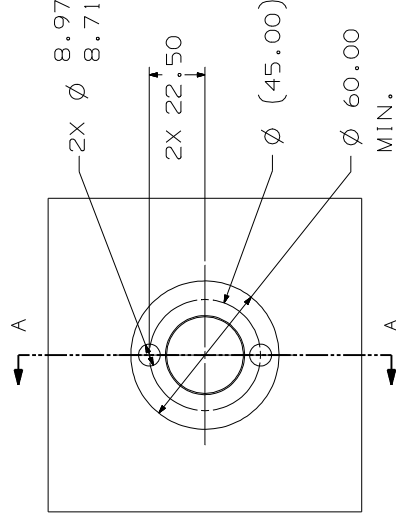


MULTIPLE SPINDLE DIMENSIONS



NO. OF SPINDLES	D MIN.
2	34.13
3	41.57
4	55.31
5	67.97
6	72.00

RECOMMENDED MOUNTING PLATE DIMENSIONS



MOUNTING OPTIONS

1) WHEN FIXTURE PLATE (X) IS BETWEEN SPINDLE FLANGE (W) AND TRANSDUCER FLANGE (Y), REMOVE AND DISCARD SPACER PLATE (Z).
NOTE: FIXTURE PLATE (X) MUST MAINTAIN THICKNESS OF SPACER PLATE (Z).

2) WHEN FIXTURE PLATE (X) IS IN FRONT OF SPINDLE FLANGE (W), SPACER PLATE (Z) THICKNESS MAY BE IGNORED.
NOTE: MB MOUNTING SCREWS MUST BE LENGTHENED BY FIXTURE PLATE (X) THICKNESS.
SUPPLIED MOUNTING SCREWS: MB X 1.25 X 30

