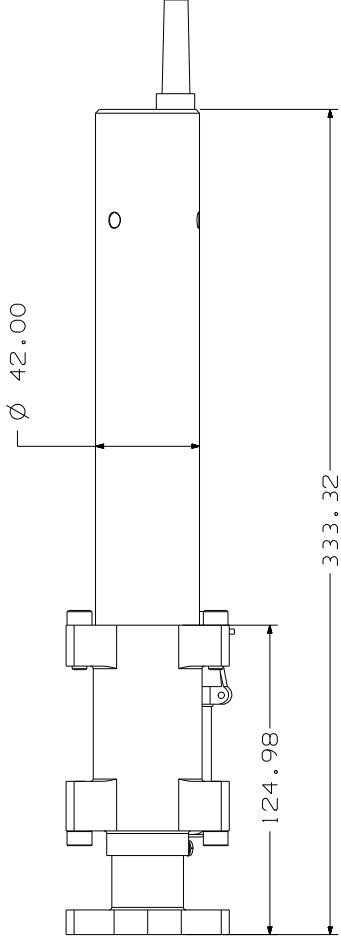
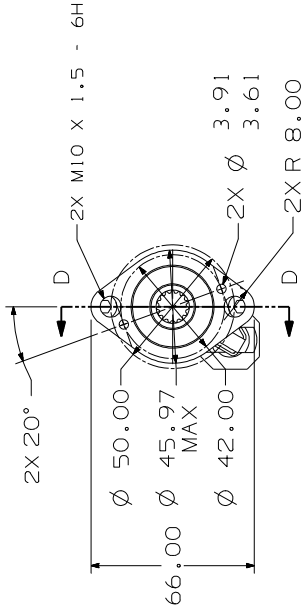
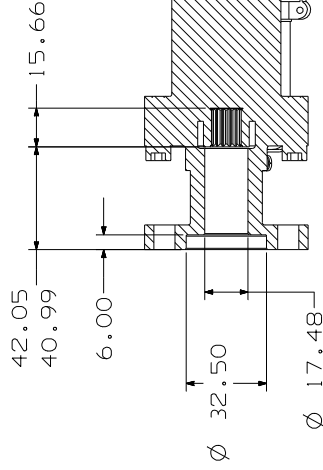


# QM5 POWER UNIT



INTERNAL INVOLUTE SPLINE DATA		
FLAT ROOD SIDE FIT		
BASIC SPECIFICATIONS		
	METRIC	ENGLISH
NUMBER OF TEETH	15	15
DIAMETRAL PITCH	327/64	327/64
PRESSURE ANGLE	30°	30°
PITCH DIAMETER	11.9063	.46875
BASE DIAMETER	10.310	.40590
FORM DIAMETER	12.802	.50400
MAJOR DIAMETER (REF)	13.081	.51500
SURFACE FINISH	1.6 MAX	63 MAX
CIRCULAR SPACE WIDTH		
MIN. EFFECTIVE	1.247	.0491
MAX. ACTUAL	1.336	.0526
REFERENCE DATA		
CLASS FIT	6	6
PIN DIAMETER	1.4	.054
MEASUREMENT BETWEEN PINS (CHORDAL)	9.921/9.830	.3908/.3943
CIRCULAR TOOTH THICKNESS	1.2012/1.1571	.04729/.04555



SECTION D - D