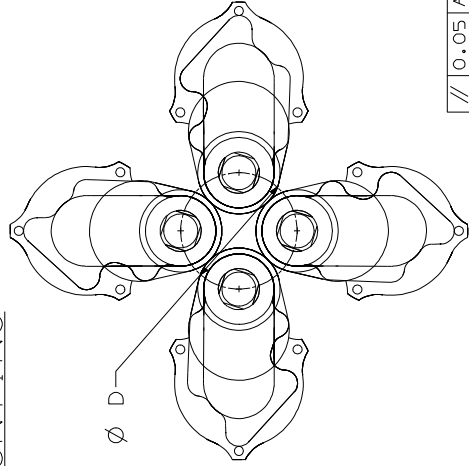


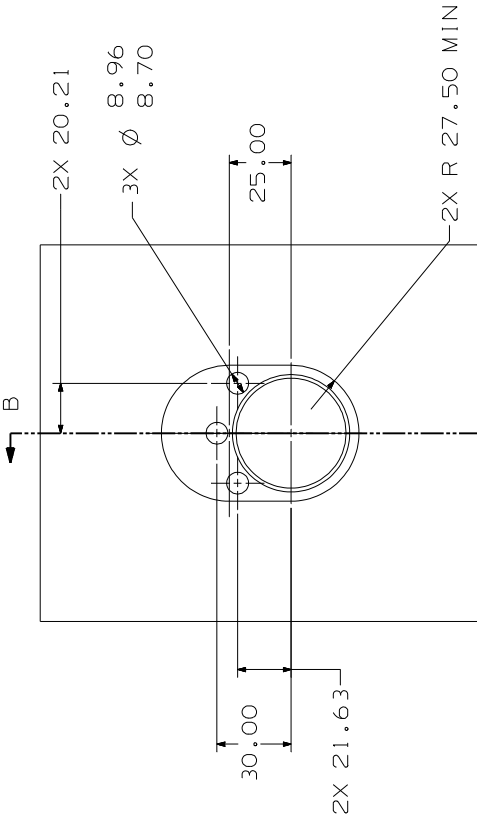
QM7 OFFSET MOUNTING

MULTIPLE SPINDLE DIMENSIONS

NO. OF SPINDLES	D MIN.
2	44.43
3	51.30
4	62.83
5	75.58
6	88.85



RECOMMENDED MOUNTING PLATE DIMENSIONS



MOUNTING OPTIONS

1) WHEN FIXTURE PLATE (X) IS BETWEEN SPINDLE FLANGE (W) AND TRANSDUCER FLANGE (Y), REMOVE AND DISCARD SPACER PLATE (Z).
NOTE: FIXTURE PLATE (X) MUST MAINTAIN THICKNESS OF SPACER PLATE (Z).

2) WHEN FIXTURE PLATE (X) IS IN FRONT OF SPINDLE FLANGE (W), SPACER PLATE (Z) THICKNESS MAY BE IGNORED.
NOTE: MB MOUNTING SCREWS MUST BE LENGTHENED BY FIXTURE PLATE (X) THICKNESS.
SUPPLIED MOUNTING SCREWS: MB X 1.25 X .35

