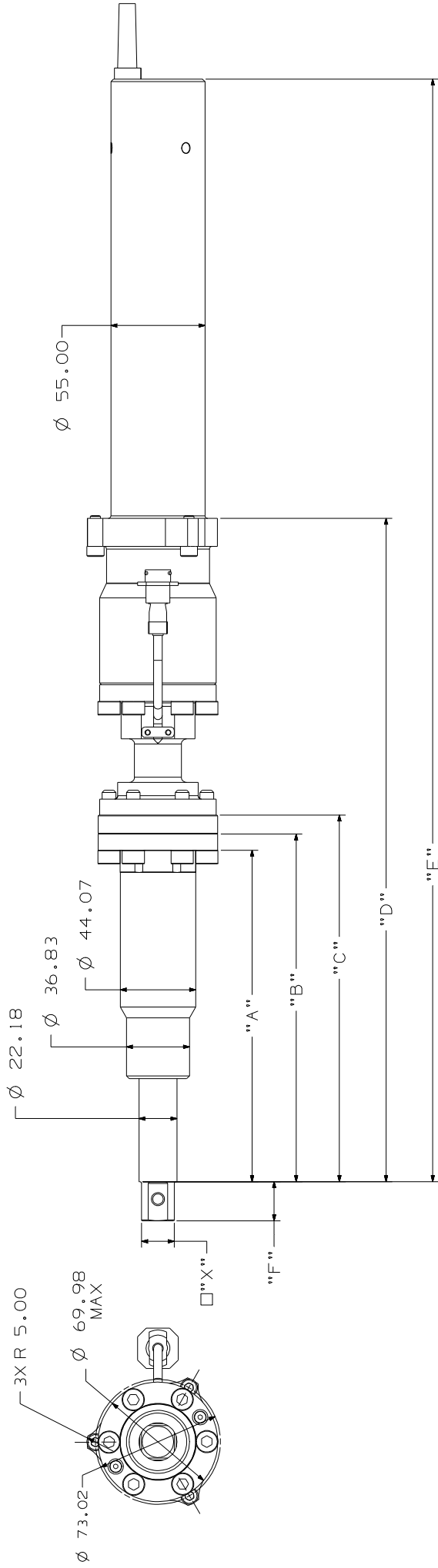


QM7 INLINE



MODEL NO.	□"X"	"A"	"B"	"C"	"D"	"E"	"F"	SPINDLE FLOAT
QM7SXXXX62S12	3/4"	193.85	203.25	214.41	387.92	644.80	22.87	50.00
QM7SXXXX92S12	3/4"	268.85	278.25	289.41	462.92	719.80	22.87	50.00
QM7SXXXX22S12	3/4"	343.85	353.25	364.41	537.92	794.80	22.87	50.00
QM7SXXXX62S08	1/2"	193.85	203.25	214.41	387.92	644.80	15.37	50.00
QM7SXXXX92S08	1/2"	268.85	278.25	289.41	462.92	719.80	15.37	50.00
QM7SXXXX22S08	1/2"	343.85	353.25	364.41	537.92	794.80	15.37	50.00