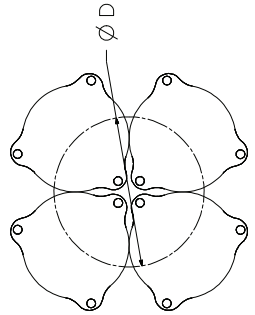


# QM9 INLINE MOUNTING ( 315-650Nm & 1000Nm )

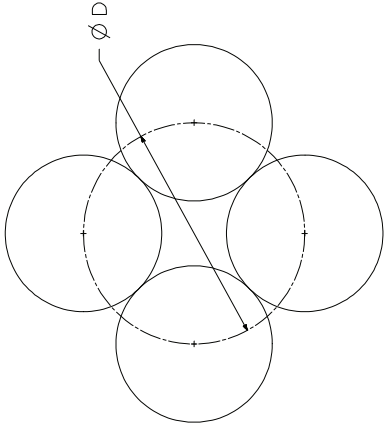


## MULTIPLE SPINDLE DIMENSIONS

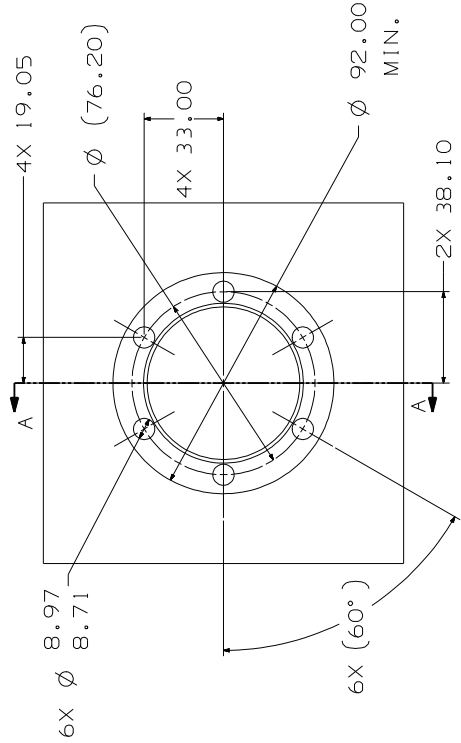
315 - 650Nm	
NO. OF SPINDLES	D MIN.
2	89.00
3	108.72
4	125.87
5	151.42
6	178.00



1000 Nm	
NO. OF SPINDLES	D MIN.
2	130.25
3	150.40
4	184.20
5	221.59
6	260.50

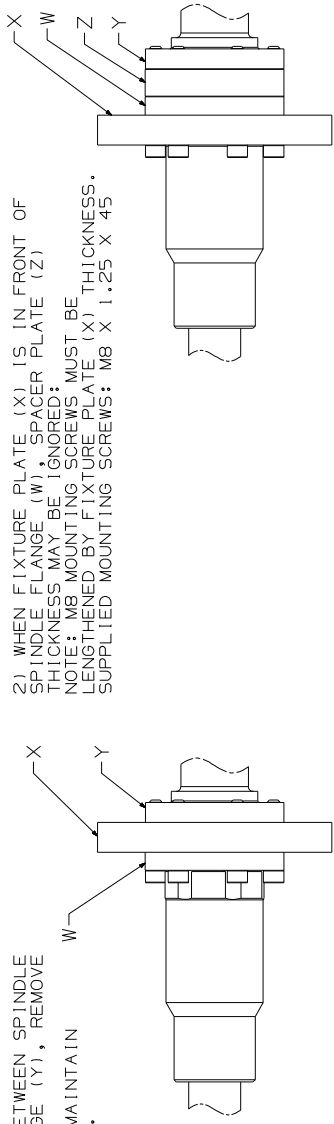


## RECOMMENDED MOUNTING PLATE DIMENSIONS



## MOUNTING OPTIONS

1) WHEN FIXTURE PLATE (X) IS BETWEEN SPINDLE FLANGE (W) AND TRANSDUCER FLANGE (Y), REMOVE AND DISCARD SPACER PLATE (Z).  
NOTE: FIXTURE PLATE (X) MUST MAINTAIN THICKNESS OF SPACER PLATE (Z).



2) WHEN FIXTURE PLATE (X) IS IN FRONT OF SPINDLE FLANGE (W), SPACER PLATE (Z) THICKNESS MAY BE IGNORED.  
NOTE: MOUNTING SCREWS MUST BE LENGTHENED BY FIXTURE PLATE (X) THICKNESS. SUPPLIED MOUNTING SCREWS: M8 X 1.25 X 45

