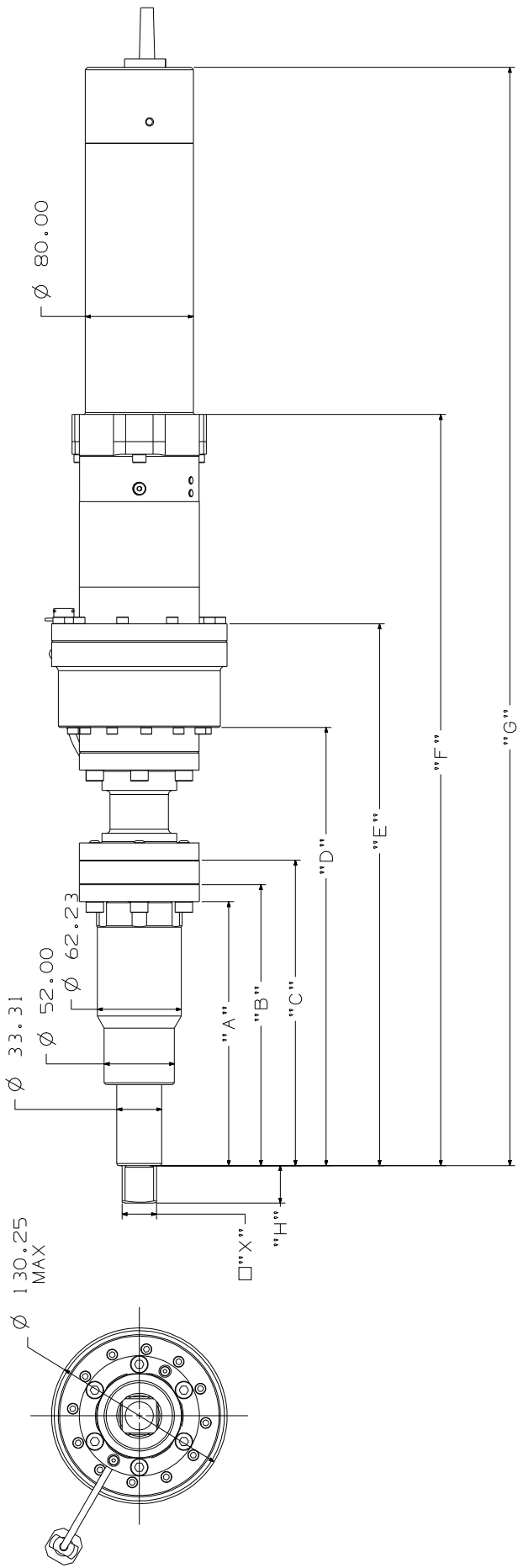


QM9 INLINE (1000Nm)



MODEL NO.	□"X"	"A"	"B"	"C"	"D"	"E"	"F"	"G"	"H"	SPINDLE FLOAT
QM9SS0IKX62S16	1"	195.31	208.01	226.04	324.30	401.01	555.96	812.84	27.87	50.00
QM9SS0IKX92S16	1"	270.31	283.01	301.04	399.30	476.01	630.96	887.84	27.87	50.00
QM9SS0IKX22S16	1"	345.31	358.01	376.04	474.30	551.01	705.96	962.84	27.87	50.00