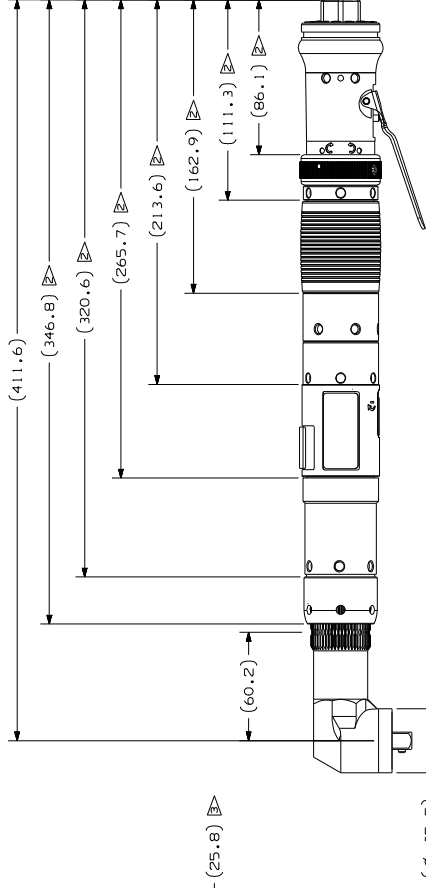
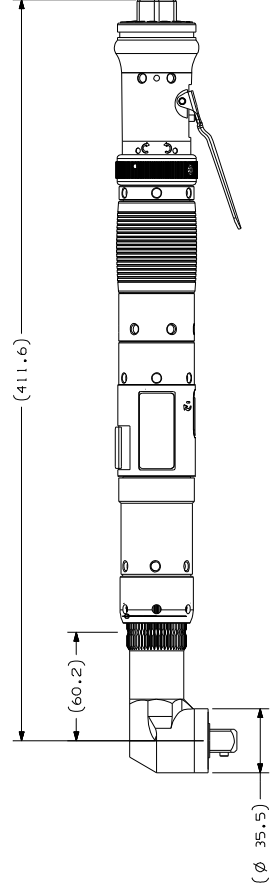


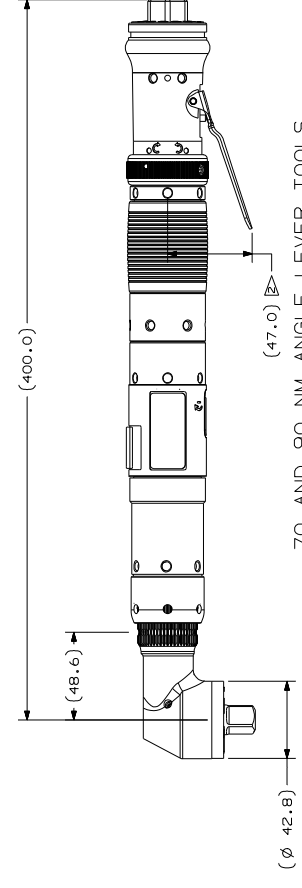
# QA6 IN-LINE AND ANGLE



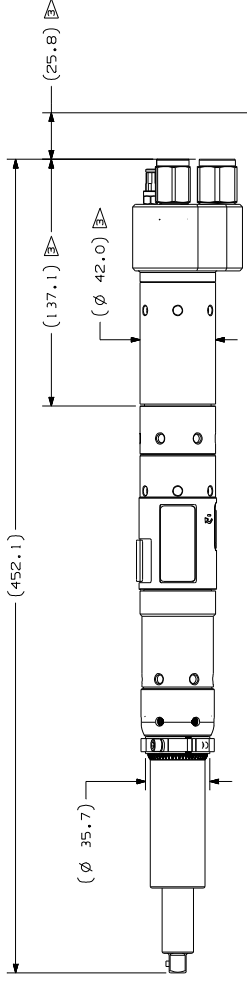
25, 30, AND 40 NM ANGLE LEVER TOOLS



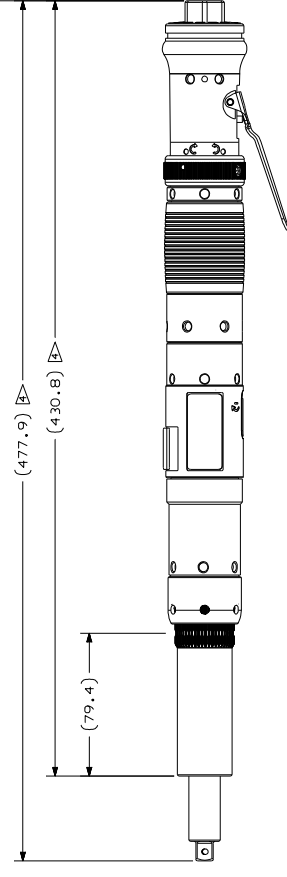
40 AND 55 NM ANGLE LEVER TOOLS



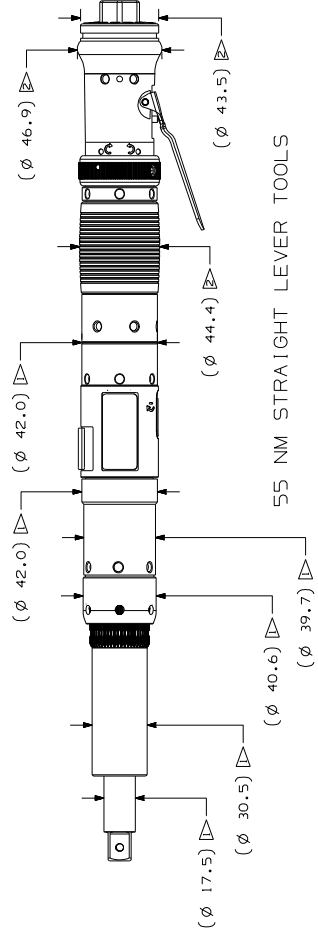
70 AND 90 NM ANGLE LEVER TOOLS



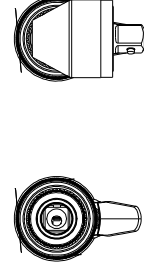
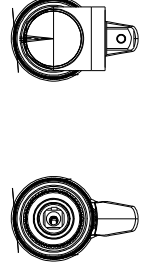
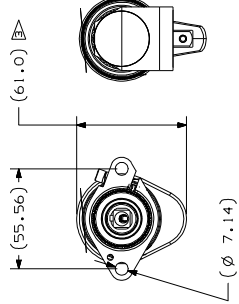
25, 30, 40, AND 55 NM STRAIGHT REMOTE TOOLS



25, 30, AND 40 NM STRAIGHT LEVER TOOLS



55 NM STRAIGHT LEVER TOOLS



- NOTE: ▽ DENOTES COMMON DIMENSION FOR ALL MODELS  
 ▽ DENOTES COMMON DIMENSION FOR ALL LEVER TOOLS  
 ▽ DENOTES COMMON DIMENSION FOR ALL REMOTE TOOLS  
 ▽ DENOTES COMMON DIMENSION FOR ALL STRAIGHT LEVER TOOLS