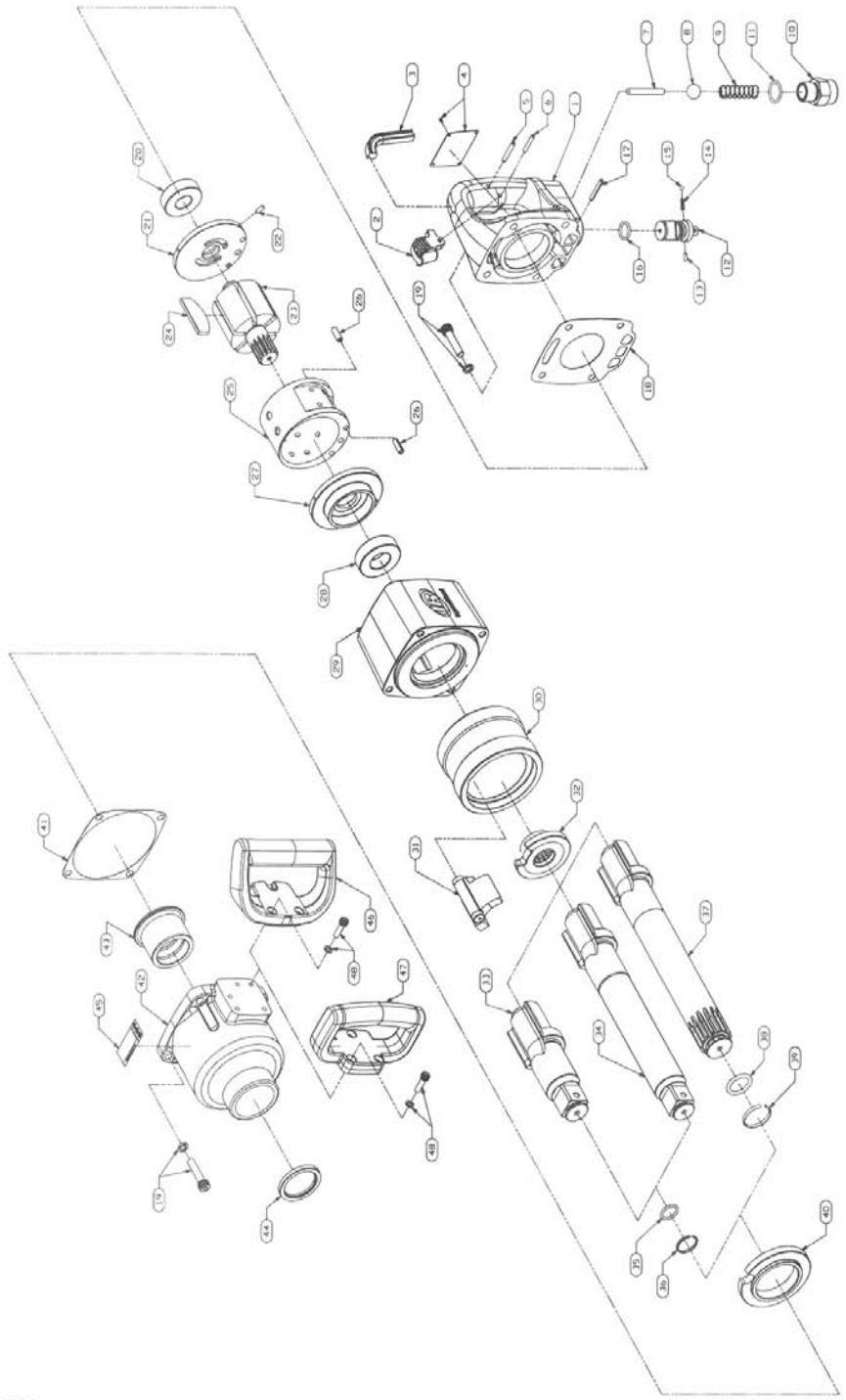


285B Series Air Impact Wrench Exploded Diagram



(Dwg. 16578726)



80162944
Edition 4
February 2006

285B Spare Parts Crossover with 285A

Item	285B Part Number	Description	Can Replace 285A P/N	Comments
1	285B-A92A	Trigger Handle Assy	N/A	
2	285B-93A	Trigger	N/A	
3	285B-438	Slot Cover	281-438	
4	285B-A301	Nameplate w/ 4 Rivets	N/A	
5	285B-439	Stop Pin	N/A	
6	285B-437	Pin, Spring	281-437	
7	285B-302	Plunger, Throttle Valve	N/A	
8	285B-50	Throttle Valve	285-50	
9	285B-51	Spring, Throttle Valve	291-51	
10	285B-A565	Inlet Bushing Assy	291-A565	
11	285B-566	O-Ring, Inlet Bushing	291-566	
12	285B-A329	Reverse Valve Assy	N/A	
13	285B-332	Stop Pin	N/A	
14	285B-334	Spring	N/A	
15	285B-333	Ball	N/A	
16	285B-338	Seal, Reverse Valve	N/A	
17	285B-120	Pin, Spring	N/A	
18	285B-283	Gasket, Handle	N/A	
19	285B-A638	Kit, Cap Screws	N/A	
20	285B-24	Rear Rotor Bearing	291-24	
21	285B-A12	End Plate w/ alignment pin	291-A12	
22	-----	Pin, Spring (2)	N/A	
23	285B-53	Rotor	285-53	Replace Rotor & Cylinder together to ensure proper function
24	285B-42-6	Vane Pack	291-42-6	
25	285B-A3	Cylinder Assy	285-A3	Replace Rotor & Cylinder together to ensure proper function
26	-----	Pin, Spring (2)	N/A	
27	285B-11	Front End Plate	291-11	
28	285B-96	Front Rotor Bearing	285-96	
29	285B-40	Motor Housing	N/A	
30	285B-703	Hammer Frame	285-703*	See note below on crossover for this item
31	285B-724	Hammer	285-724*	See note below on crossover for this item
32	285B-721	Hammer Cam	285-721*	See note below on crossover for this item
33	285B-A726	Anvil Assy, Short	285-A726*	See note below on crossover for this item
34	285B-A726-6	Anvil Assy, Long	285-A726-6*	See note below on crossover for this item
35	BBFM-557	O-Ring	N/A	
36	910E5-918	Retainer Ring	N/A	
37	285B-A514-6	Anvil Assy, Long, #5 Spline	285-A514-6*	See note below on crossover for this item
38	285B-S-557	O-Ring	N/A	
39	285B-S-918	Retainer Ring	N/A	
40	285B-706	Side Plate	285-706*	See note below on crossover for this item
41	285B-36	Hammer Case Gasket	N/A	
42	285B-A727**	Hammer Case Assy	285-A727**	Replace H/C Assy with complete H/C Kit (See Below)
43	285B-641	Hammer Case Bushing	291-641	
44	285B-642	Oil Seal	291-642	
45	Warning-2-99	Warning Label	Warning-27-99	
46	285B-A48-6	Kit, Dead Handle (Angled)	N/A	
47	285B-A48	Kit, Dead Handle (Straight)	N/A	
48	-----	Screws & Washers (3)	N/A	

* When replacing the Hammer, Hammer Frame, Hammer Cam, Anvil, or Side Plate from a 285A with components for a 285B it is recommended that all items be replaced together in order to ensure proper function.

** Order Hammer Case Kit when replacing 285A Hammer Case to receive Handle and Screws which will fit	
285B-K727-6	Kit, Hammer Case w/ Dead Handle (Angled) and Screws (3)
285B-K727	Kit, Hammer Case w/ Dead Handle (Straight) and Screws (3)