



**04584454**  
Edition 3  
October 2009

## **Air Impact Wrench**

**Models 2934B2SP-EU, 2934B9SP-EU  
and 2940B2SP-EU**

---

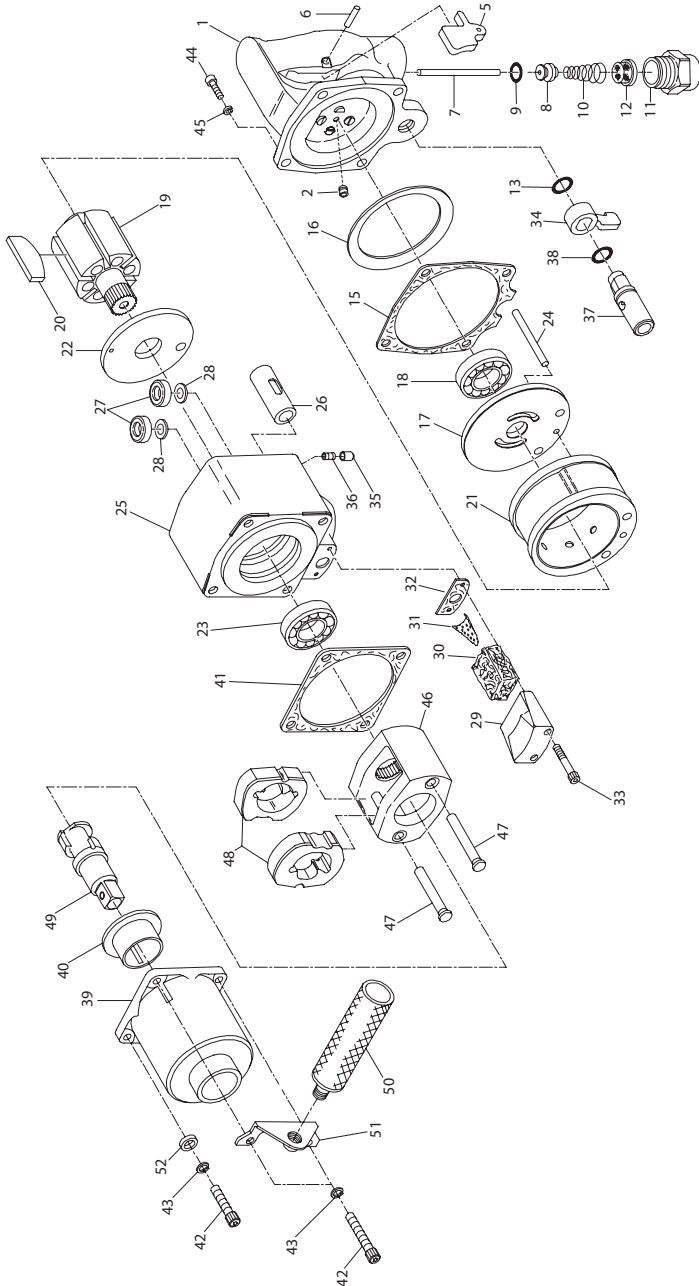
## **Parts Information**



**Save These Instructions**

 **Ingersoll Rand**

2934B2SP-EU, 2934B9SP-EU and 2940B2SP-EU Air Impact Wrench Exploded Diagram



(Dwg. TPA1249-2 )

## 2934B2SP-EU, 2934B9SP-EU and 2940B2SP-EU Air Impact Wrench Parts List

Item	Part Description	Part Number	Item	Part Description	Part Number
1	Inside Trigger Handle Assembly	2934SP-A92A	33	Deflector Screw (2)	R43F-104
2	Grease Fitting	1305R-188	*	Nameplate	
5	Inside Trigger	834-93A		for 2934	2934SP-EU-301
6	Inside Trigger Pin	280-437		for 2940	2940SP-EU-301
7	Throttle Valve Plunger	2934-302	*	Nameplate Screw (4)	C32-302
8	Throttle Valve Assembly	2934-A50	34	Reverse Lever	2934-658A
• 9	Throttle Valve Face	2934-159	35	Reverse Lock Plunger	4U-663B
10	Throttle Valve Spring	834-51	36	Reverse Lock Plunger Spring	4U-664
11	Straight Inlet	845-565	37	Reverse Valve Assembly	2934-A329
• 12	Air Strainer Screen	434-61	• 38	Reverse Valve Bushing Seal	85H-167
• 13	Reverse Valve Seal	R00BR-210	39	Hammer Case Assembly	
• 15	Handle Gasket	2934-283		for 2934	2934SP-A727
16	Motor Clamp Washer	2934SP-207A		for 2940	2940SP-A727
17	Rear End Plate	2934-12	40	Hammer Case Bushing	2934-641SP
18	Rear Rotor Bearing	508-97	*	Hammer Case Label	WARNING-2-99
19	Rotor		• 41	Hammer Case Gasket	2934-36
	for 2934	2934-53	42	Hammer Case Cap Screw (4)	834-638
	for 2940	2940-53	43	Hammer Case Cap Screw Lock Washer (4)	34U-58
• 20	Vane Packet (set of 6 Vanes)		44	Handle Cap Screw (4)	510-638
	for 2934	2934-42-6	45	Handle Cap Screw Lock Washer (4)	8U-58
	for 2940	2940-42-6	46	Hammer Frame Assembly	
21	Cylinder			for 2934	2934-A703
	for 2934	2934-3		for 2940	2940-A703
	for 2940	2940-3	47	Hammer Pin (2)	
22	Front End Plate	2934-11		for 2934	2934-704
	Front Rotor Bearing	810-97		for 2940	2940-704
24	Cylinder Dowel		48	Hammer (2)	
	for 2934	2934-98		for 2934	2934-724
	for 2940	2940-98		for 2940	2940-724
25	Motor Housing Assembly		49	1" Square Drive Anvil	
	for 2934	2934SP-A40A		for 2934	2934-726
	for 2940	2940SP-A40A		for 2940	2940-726
*	ATEX Label	ATEX-IMPACTOOL-99	*	Socket Retainer	RR10015S
26	Reverse Valve Bushing	2934-330S	50	Dead Handle	834-48
• 27	Air Port Gasket (2)	R44H-210A	51	Dead Handle Bracket	2934-364
28	Air Port Gasket Retainer (2)	2940-200	52	Dead Handle Bracket Spacer (2)	2934-140
29	Exhaust Deflector	2934-23A	*	Side Spade Handle (for Model 2934B9SP-EU)	T15-41
30	Exhaust Silencer	2940P-311	*	Side Spade Handle Stud (for Model 2934B9SP-EU)	534-448
31	Exhaust Baffle	2934-124	*	Side Spade Handle Stud Nut (for Model 2934B9SP-EU)	107-73A
32	Exhaust Gasket	2934-223			

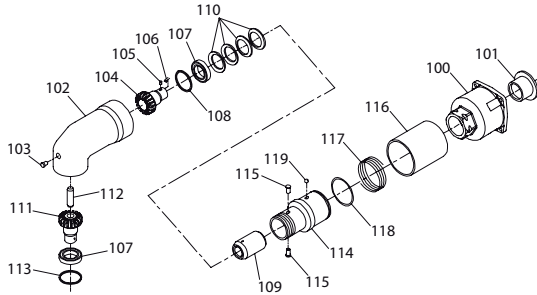
\* Not Illustrated.

- To keep downtime to a minimum, it is desirable to have on hand certain repair parts. We recommend that you stock one (pair or set) of each part indicated by a bullet (•) for every four tools in service.

## 2934A90 Angle Attachment

The 2934B2SP-EU Impacttool can be furnished with a 1" square drive 2934A90 Angle Attachment and when so furnished is designated as 2934B9SP-EU. Following are the parts used only in the 2934B9SP-EU. All parts not listed are the same as for a 2934B2SP-EU Impacttool with Inside Trigger Handle, Side Spade Handle and a 1" square drive standard length Anvil.

### 2934A90 Angle Attachment Exploded Diagram



(Dwg. TPC357)

### 2934A90 Angle Attachment Parts List

Item	Part Description	Part Number
100	Hammer Case Assembly	2934-A827
101	Hammer Case Bushing	2934-641
*	Hammer Case Label	WARNING-2-99
	Angle Attachment Assembly	2934A90
102	Angle Housing Assembly	436A90-A600
103	Grease Fitting	130SR-188
104	Bevel Pinion Assembly	436A90-A602
105	Retainer Plunger	8U-715
106	Retainer Plunger Spring	5UHD-718
107	Bevel Pinion Bearing or Bevel Gear Bearing (2)	436A90-593
108	Bevel Pinion Spacer	436A90-608
109	Bevel Pinion Driver	2934A90-563
110	Bevel Pinion Clamp Washer (4)	808-207
111	Bevel Gear	436A90-601
112	Bevel Gear Spindle	436A90-607
113	Bevel Gear Bearing Retainer	436A90-632
114	Angle Housing Connector	436A90-680
115	Connector Lock Pin (2)	436A90-609
116	Connector Retaining Sleeve	436A90-681
117	Retaining Sleeve Spring	436A90-682
118	Connector Retaining Sleeve Stop	3BM-303
119	Connector Retaining Ball (3)	8U-722
*	Socket Retainer	RR100155

\* Not Illustrated

## Parts and Maintenance

When the life of the tool has expired, it is recommended that the tool be disassembled, degreased and parts be separated by material so that they can be recycled.

Tool repair and maintenance should only be carried out by an authorized Service Center.

Refer all communications to the nearest **Ingersoll Rand** Office or Distributor.

## Related Documentation

For additional information refer to:

Product Safety Information Manual 04580916.

Product Information Manual 04584835.

Maintenance Information Manual 04584280.

Manuals can be downloaded from [www.ingersollrandproducts.com](http://www.ingersollrandproducts.com).

**Notes:**

---

---

**Notes:**

**Notes:**

---

[www.ingersollrandproducts.com](http://www.ingersollrandproducts.com)

© 2009 **Ingersoll Rand** Company

