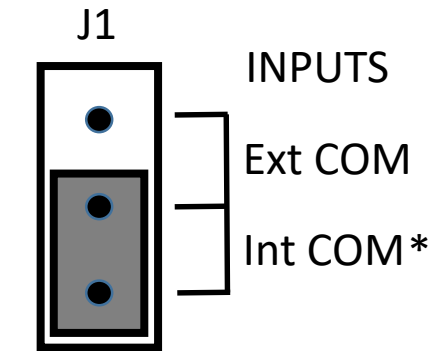


# QC-DIO-8CH Box Setup Guide

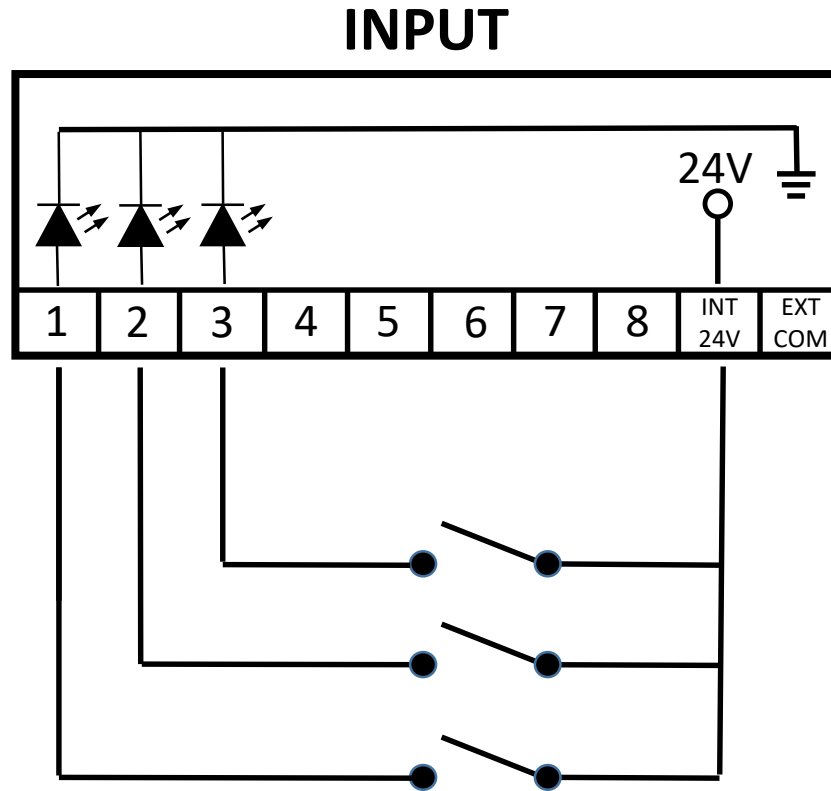
## Installation Guide Lines

- 1) It is best to mount the DIO Box to the Controller using the provided mounting brackets and screws.
- 2) For best results, use the .5M USB Cable provided with the unit.
- 3) If a longer USB Cable is required DO NOT exceed 2M in length.
- 4) The supplied Ground Strap must be used. One end connects to the DIO Box's terminal screw. The other end should be attached to any one of the Controller's housing screws.
- 5) DO NOT run the USB Cable or any of the Input or Output signal wires in parallel to any higher voltage power lines or wires with high current switching.

## Wiring Inputs using the internal power supply

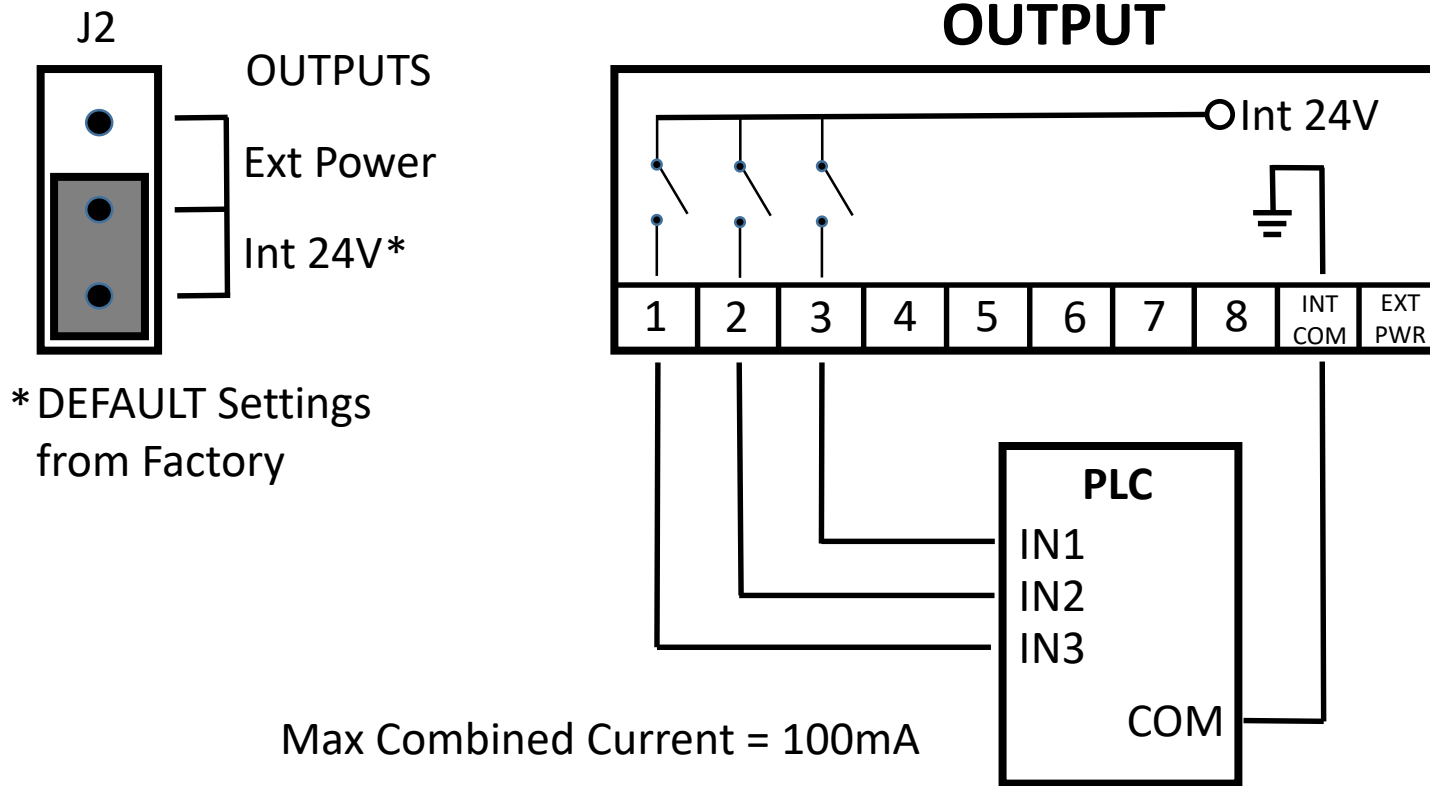


\* DEFAULT Settings  
from Factory



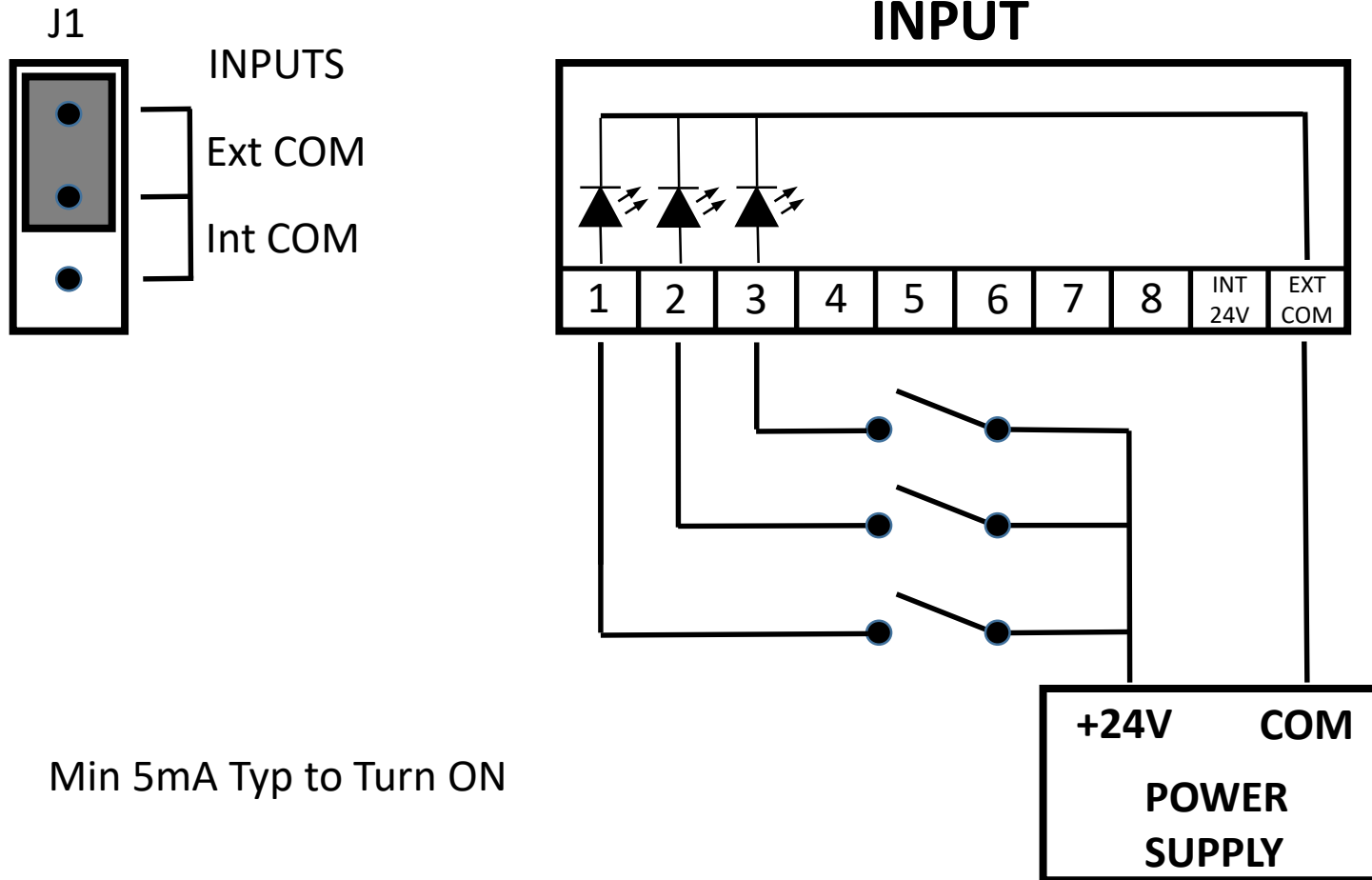
**NOTE:** If Inputs become unstable or fail to turn ON, an External Supply may be needed.  
See Page 4 for how to configure

## Wiring Outputs using the internal power supply



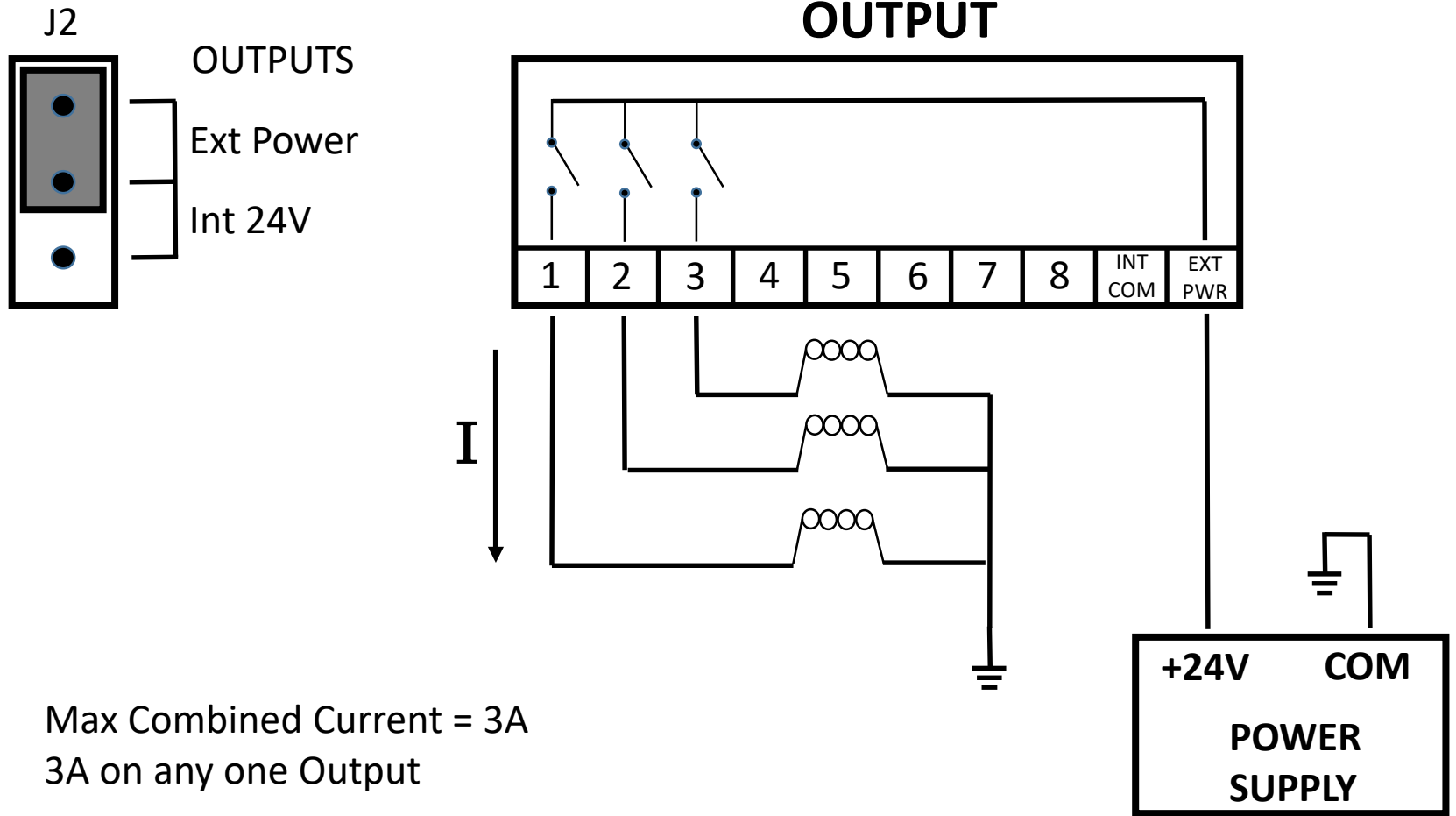
**NOTE:** If Outputs become unstable or fail to turn ON, an External Supply may be needed. See Pages 5 & 6 for how to configure.

# Wiring Inputs using an external power supply

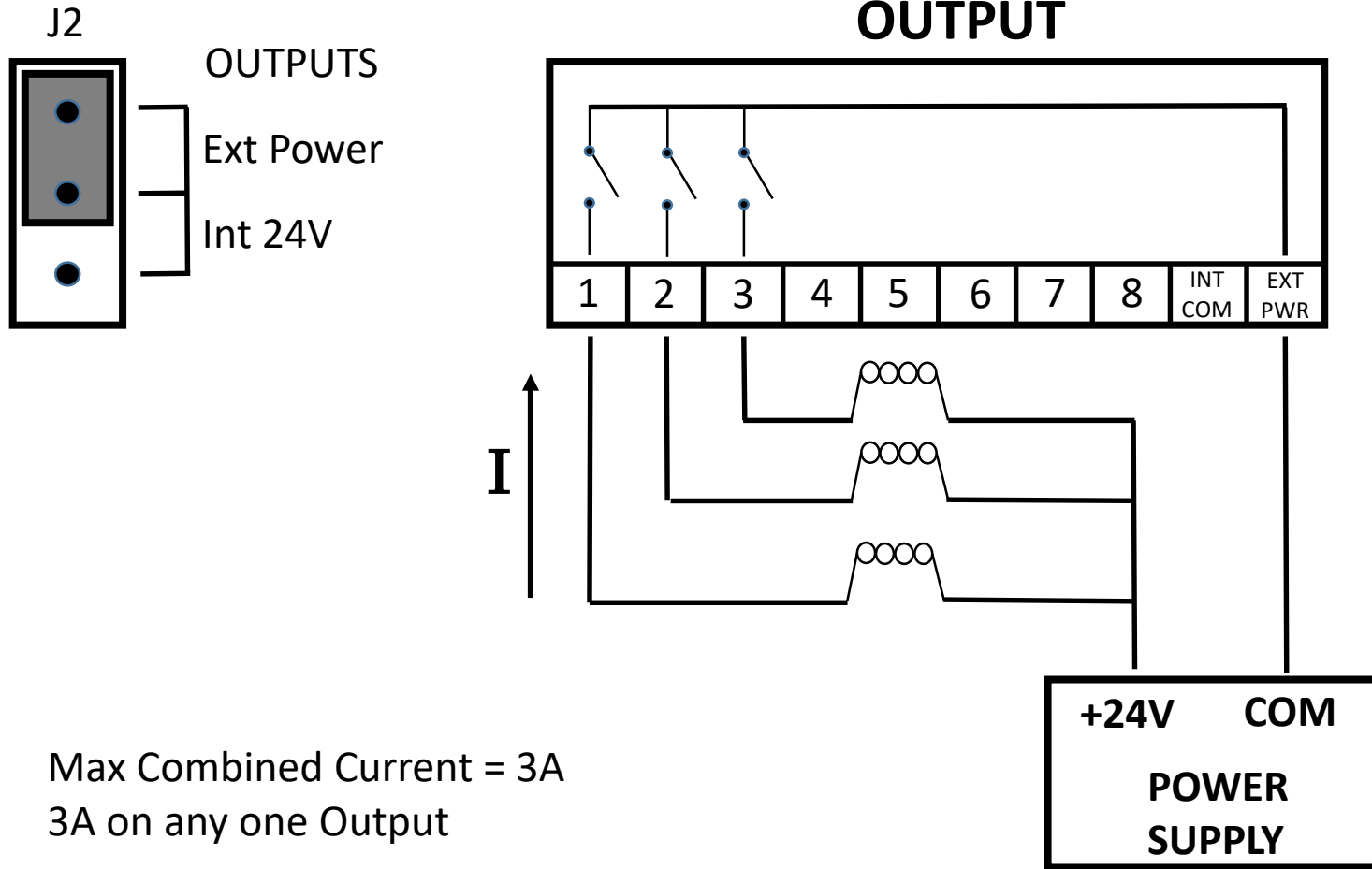


Min 5mA Typ to Turn ON

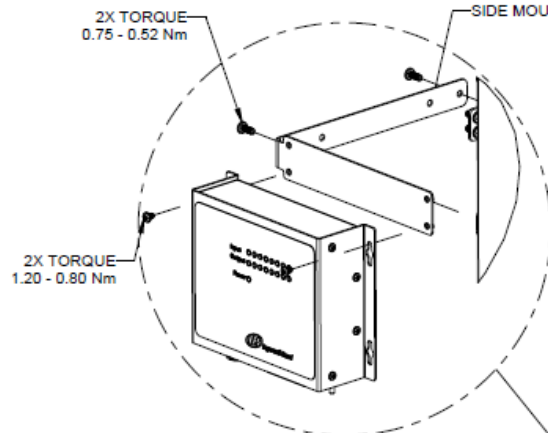
# Wiring Outputs using an external power supply – Sourcing



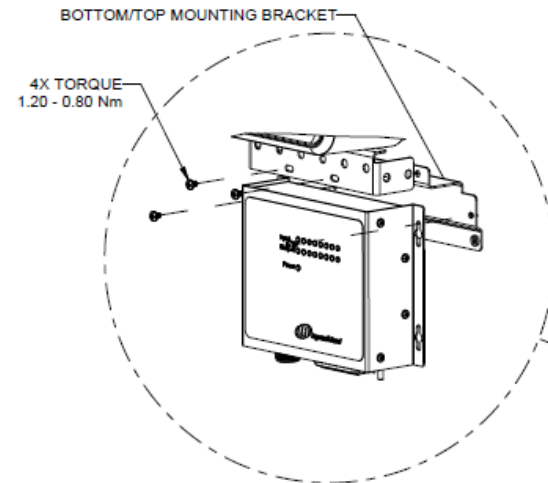
# Wiring Outputs using an external power supply – Sinking



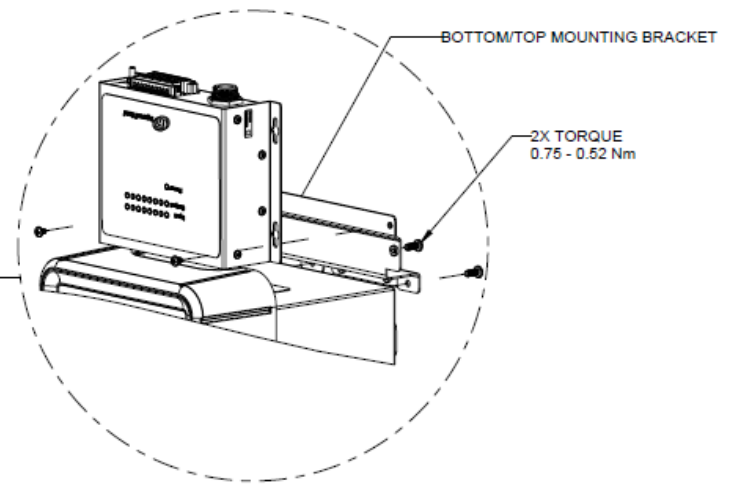
# QC-DIO-8CH Mounting Options



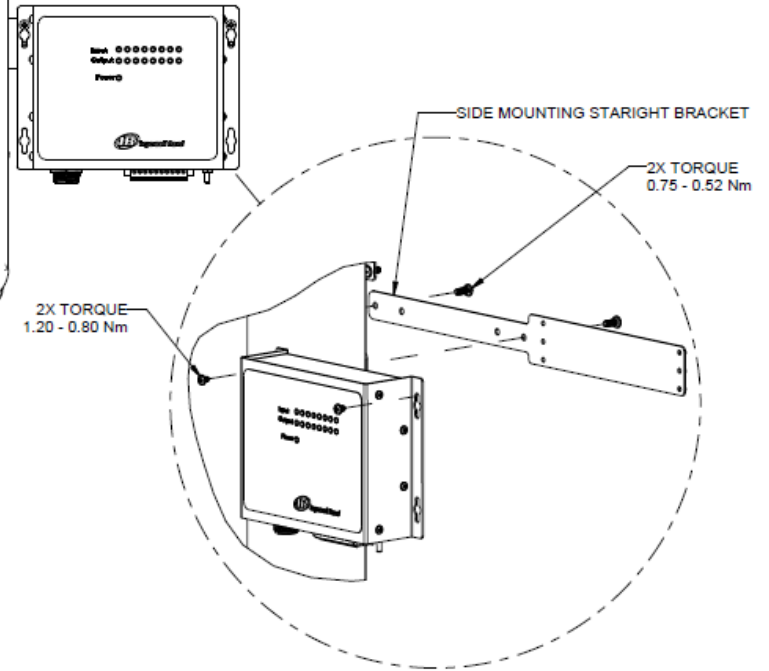
DIO BOX MOUNTED ON SIDE (L/R) OF THE CONTROLLER, PERPENDICULAR TO CONTROLLER DISPLAY



DIO BOX MOUNTED AT BOTTOM OF THE CONTROLLER



DIO BOX MOUNTED ON TOP OF THE CONTROLLER



DIO BOX MOUNTED ON SIDE (L/R) OF THE CONTROLLER, PARALLEL TO CONTROLLER DISPLAY