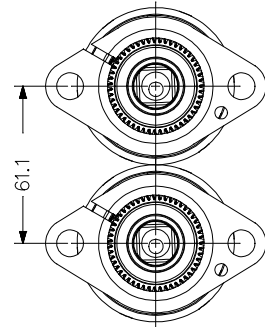
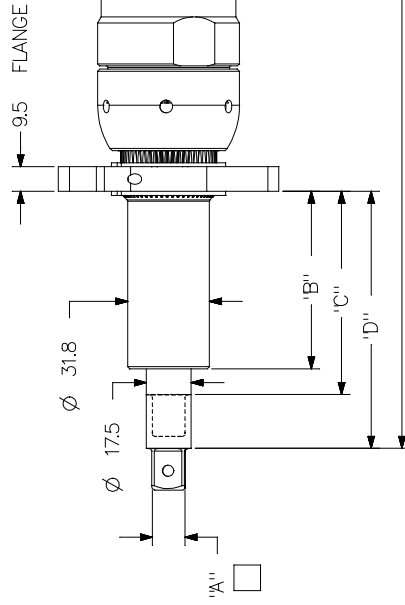
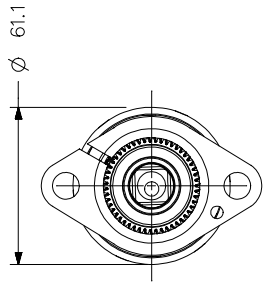


QE8ST150B [S]

MODEL NO.	"A" □	"B" H 1/2"	"C" 88.9	"D" 100.0	"L" 592.1
41S08	H 1/2"	69.0	88.9	100.0	592.1
61S08	H 1/2"	100.0	110.9	150.8	642.9
81S08	H 1/2"	150.8	161.7	201.6	693.7



H INCH DIMENSION

10559656_A_SH4